

The following finishing details can be selected on their own to suit a specific situation or combined for a clean minimalist look. To combine all three, simply ask for the **CS SquareFormed Cavity Slider**.

**Full-Height™**

**Full-Height** detail enables the underside of the track when installed to finish flush with the underside of the ceiling. Products will be supplied without a head jamb, allowing the ceiling lining to butt into the side of the track.



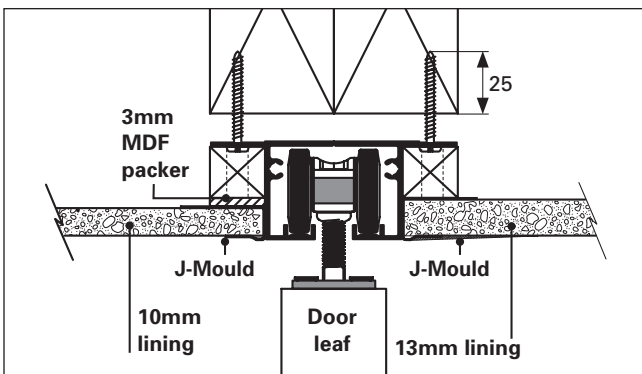
**SquareStop™**

**SquareStop** is a special jamb detail that allows you to finish the wall with no visible jamb liner. The new **CS SquareStop Split Jamb** makes finishing of this product quicker, easier, neater and stronger.

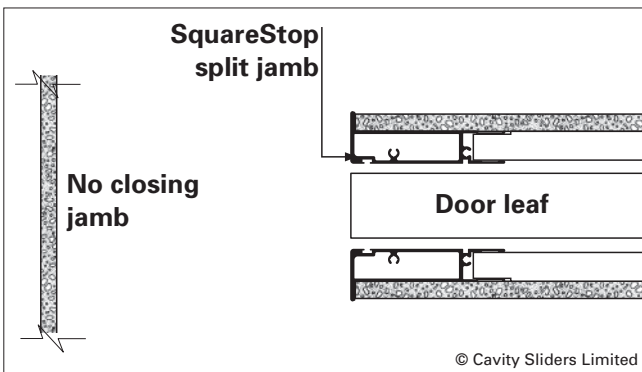


**Technical Detail** (Suggested detail only)

Elevation



Plan View



**NoClosingJamb™**

A minimalist detail (usually paired with SquareStop) that allows for a flush finish at the wall where the door closes.



**SquareFormed™**

CS SquareFormed cavity slider combines all three details shown above.



All copyright and other property in this document is reserved by Cavity Sliders Limited. Details and specifications are subject to change without notice. Whilst all care is taken to ensure the accuracy of all information, no responsibility will be accepted for any errors or omissions. © CS FOR DOORS and CS Cavity Sliders are Registered Trademarks. New Zealand Patent No: 533838. © Cavity Sliders Limited. CS DETAILOPTIONS™ (O.D. 1990). 61086/3 08.2017