

Aluminium Door Front Edge Pull

The **Aluminium Door Front Edge Pull** is a high quality front edge pull designed specifically to complement our aluminium door leaves. The body is extruded from aluminium, then machined before brushing, plating and assembly. It is strong enough to provide a positive grip on even the heaviest doors.

Once installed, this edge pull sits virtually flush with the edge of the door and has no visible screw fixings.

The Aluminium Door Front Edge Pull suits our **CS NewYorker** glazed doors, and the **CS AluTec** and **CS MirrorLite** only.

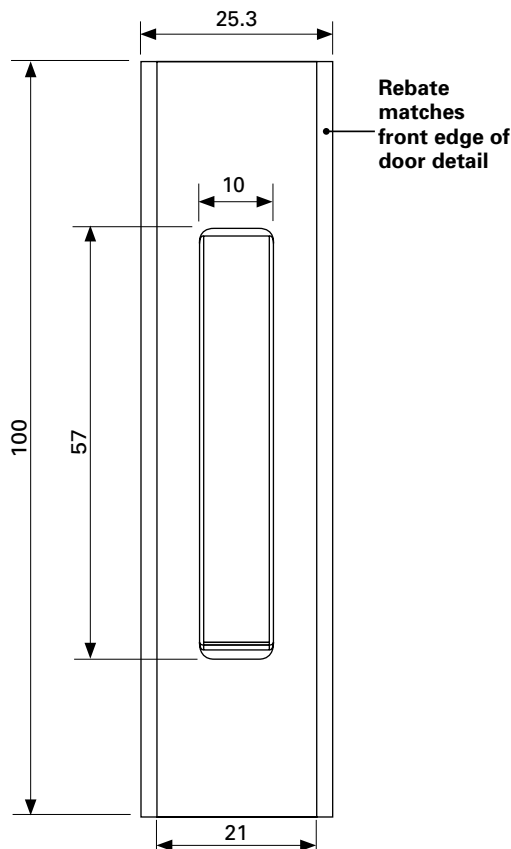
Configuration Options



↑ Aluminium Door Front Edge Pull fitted to a NewYorker Door.

← The Aluminium Door Front Edge Pull sits flush when not in use.

Dimensions



DoorLeaves™

The **Aluminium Door Front Edge Pull** is suitable for use only with the following door leaves from CS:

 **NewYorker™**

 **MirrorLite™**

 **AluTec™**

Drawings & pictures are not to scale. All dimensions in millimetres.

CS Cavity Sliders Pty. Ltd.
T 02 9905 0588
F 02 9905 7088

www.cavitysliders.com.au
info@cavitysliders.com.au

PO Box 158
Freshwater, NSW 2096

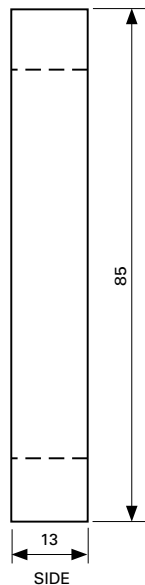
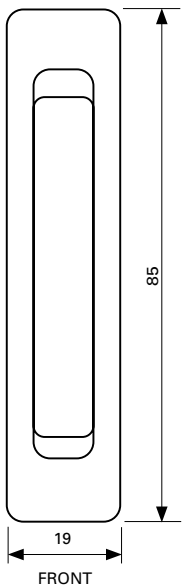
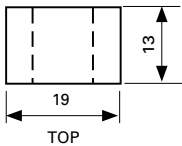
 **CavitySliders**
Innovative Door Solutions

Timber Edge Pull

The **Timber Edge Pull** is a high-quality front edge pull for timber doors. The body is machined from brass, the pull cast stainless steel. It is strong enough to provide a positive grip on even the heaviest doors.

Once installed this edge pull sits virtually flush with the edge of the door and has no visible screw fixings.

Dimensions



Finish Options

▮ Satin Chrome
CL800A4020

▮ Polished Brass
CL800A4025

Drawings & pictures are not to scale. All dimensions in millimetres.

CS Cavity Sliders Pty. Ltd.
T 02 9905 0588
F 02 9905 7088

www.cavitysliders.com.au
info@cavitysliders.com.au

PO Box 158
Freshwater, NSW 2096

Another quality product from:

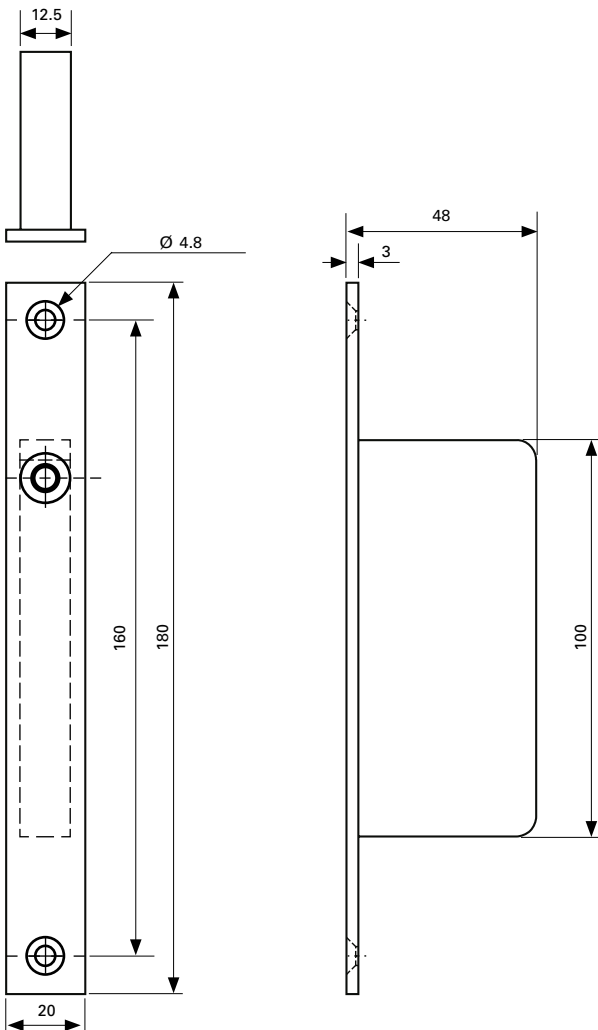
 **CavitySliders**
Innovative Door Solutions

Halliday & Baillie End Pull

The Halliday & Baillie **Sliding Door End Pull** belongs to the Halliday & Baillie SLIDING DOOR HARDWARE range. This range of architectural hardware is specifically designed for cavity and surface sliding doors.

The small face plate, with its smooth push button release, and the narrow 48mm back-set, make the H & B End Pull ideal for both timber and aluminium doors. This stylish handle is suitable for residential and commercial applications, either inside or outdoors.

Dimensions



▲ The H & B End Pull, in the closed position, fitted to a timber veneer door.



◀ The End Pull, in the open position, fitted to a CS NewYorker aluminium door.

Finish Options

- ▮ Satin Chrome

Drawings & pictures are not to scale. All dimensions in millimetres.

CS Cavity Sliders Pty. Ltd.
T 02 9905 0588
F 02 9905 7088

www.cavitysliders.com.au
info@cavitysliders.com.au

PO Box 158
Freshwater, NSW 2096

Another quality product from:

Innovative Door Solutions