



*CS SoundStop Single unit with STC 43 door*



*Bi-Parting unit with STC 43 doors  
incorporating magnetic joining seals*



*Bi-Parting acoustic doors (STC 35)*



## Features

Combining all the features of our standard models with the added benefit of measured acoustic ratings up to STC 43, these units are supplied complete with a specialised acoustic door panel when an acoustic rating above STC 31 is required.

- Units fully accredited and tested by Acoustics Testing Services (up to STC43 using lead lined acoustic door leaf).
- Fits into standard thickness stud walls.
- Supplied as a complete unit with door and seals factory fitted.
- No visible guides in the opening or on the door.
- Timber doors over 1200mm wide may be manufactured in two pieces with a specialised joining system, creating a negative detail on both sides of the door.
- Brush seals are fitted to the bottom of the door and a seal bar to the back edge of the door.

## AluTec®

Our AluTec aluminium door leaf is available for use with the SoundStop cavity slider.

It has been tested to STC 36 and is suitable for single doors up to 2500 x 2200mm. GIB® Noiseline® 13mm linings must be used.



## Technical Information

Useful formulas ([online calculator on our website](#))

Dimension Required	Single	Bi-Parting
Trim height <sup>1</sup>	DH + 95	DH + 95
Trim width <sup>1</sup>	(DWx2)+30	(DWx4)+10
Distance between jambs <sup>1</sup>	DW - 31	(DWx2)-42
Distance over jambs (Arch)	DW + 13	(DWx2)+6
Distance over jambs (Grvd)	DW + 31	(DWx2)+20
Distance over jambs (Alum)	DW + 32	(DWx2)+20
Floor to top of head (Arch)	DH + 38.5	DH + 38.5
Floor to top of head (Grvd)	DH + 49.5	DH + 49.5
Floor to top of head (Alum)	DH + 44.5	DH + 44.5
Floor to underside of head <sup>2</sup>	DH + 18.5	DH + 18.5
Floor to u/side head (Alum)	DH + 13.5	DH + 13.5

DH = Door Height DW = Door Width. Note: All dimensions are in millimetres.  
 1 = Same calculations for Architrave (Arch), Grooved (Grvd) timber & aluminium jambs.  
 2 = Same calculations for Architrave (Arch) & Grooved (Grvd) timber jambs.

### How to specify (example)

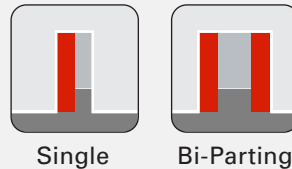
Product:	~ CS SoundStop Cavity Slider
Location:	~ Media Room
Door leaf dimensions:	~ 2200mm x 1600mm
Door type:	~ CS AluTec
Single or Bi-Parting:	~ Single
Jamb type & finish:	~ Pine flat (for architraves)
Framing material & size:	~ 90mm timber framing
Wall lining thickness:	~ 13mm (minimum)
STC Rating:	~ 36
Handle type:	~ CaviLock CL100 Lever

Full specifications: [www.masterspec.co.nz](http://www.masterspec.co.nz) or [www.natspec.com.au](http://www.natspec.com.au)

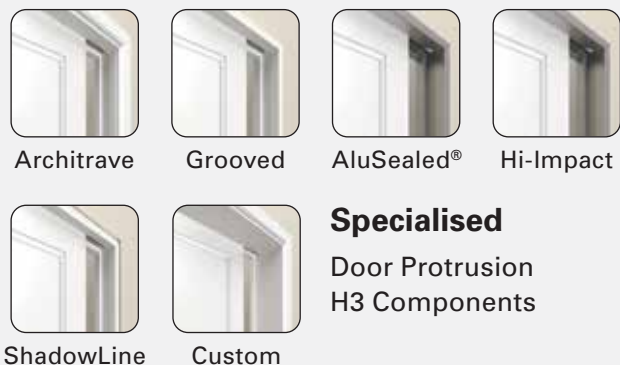
## Options

Incorporate any of the architectural detail options below with the CS SoundStop cavity slider to create a specific look or to provide a unique solution to your design requirements.

### Configurations



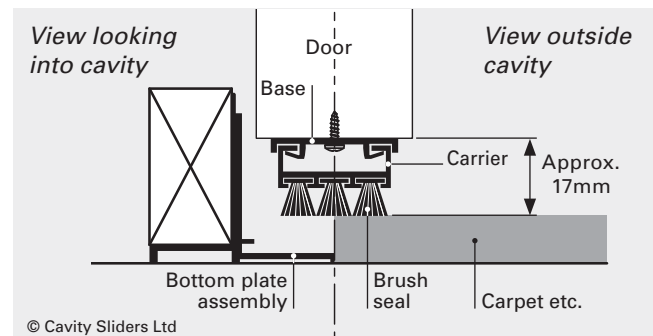
### Jamb Options



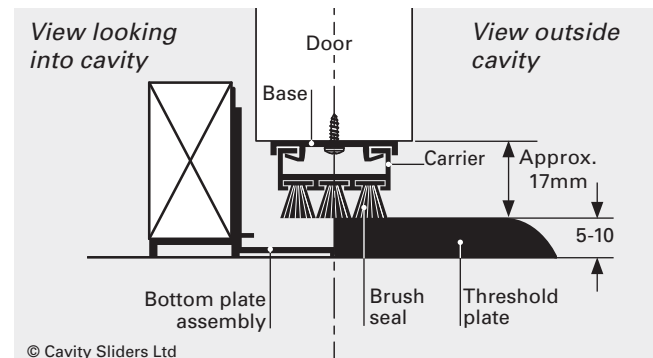
### Specialised

Door Protrusion  
H3 Components

### Detail 1: 12-15mm of floor covering



### Detail 2: Minimal or no floor covering present



Drawings are not to scale. All dimensions in mm.



CS FOR DOORS NZ  
0800 754 337



[www.csfordoors.co.nz](http://www.csfordoors.co.nz)  
info@csfordoors.co.nz



[www.cavitysliders.com.au](http://www.cavitysliders.com.au)  
info@cavitysliders.com.au



CS Cavity Sliders AU  
1800 975 433