

# Space RELIEVER...



**Service  
Centres**

**Public  
Toilets**



**Hospitals  
and  
Aged Care  
Facilities**

**Shopping  
Malls**



## WC Solutions

CS has developed a range of public toilet door solutions, from a basic model with a manual mechanical handle through to a fully automated system featuring magnetic locking and indication lights.

These features not only provide easy toilet access to the disabled, but also to those who are hard of hearing or sight impaired.

Our WC Solutions are ideal for a variety of locations including hospitals, rest homes, service stations and supermarkets.

**Complete toilet  
access control  
solutions  
made possible  
through thirty  
years of design  
& development**

For a complete solution that includes the pocket, door and a handle pre-fitted, consult CS.



↑ 1 - Unisex CS AutoCav WC in a shopping mall.

# EasyOpen™

The CS EasyOpen door system was initially developed to provide Council compliant access to toilets for the disabled. It is now also commonly specified when large 'D' type handles or hardware that protrudes from the face of the door are required. The cavity pocket is cut short by 100mm, enabling door to protrude 100mm.



2 - Unisex CS EasyOpen WC units in a shopping mall.

## Specify the EasyOpen® WC Combo

By specifying the CS EasyOpen® WC with a door and disabled access 'code compliant' LaviLock (handle and lock), there is no need to have a separate toilet for disabled patrons. One toilet can effectively suffice for disabled and able bodied persons of either sex.

### Advantages

- ▮ Saves money. The combo costs less than individual items bought from multiple suppliers.
- ▮ Saves labour. No on-site fitting of doors or locks required.
- ▮ Arrives ready to install. Works first time.
- ▮ The complete combo is fully compliant provided a 1050mm wide door is used.

### Design Features & Options

- ▮ One toilet for disabled and able bodied persons of either sex.
- ▮ Supplied fully assembled, ready for on-site installation.
- ▮ Door and carriages can be removed without removing wall linings.
- ▮ All aluminium components screwed together for strength and reliability.
- ▮ Door carrying capacity is 90kg using 2-wheel carriages. 4-wheel carriages may be fitted for heavier doors.

# CL100 LaviLock™

The CL100 LaviLock is a lockset designed for use in hospitals, aged care facilities, public bathrooms, disabled bathrooms or educational facilities. The brass and stainless steel components ensure ease of use and durability for years to come. The LaviLock has a reputation for resistance to harsh environments and resisting harsh treatment in public areas.\*



3 - CL100 LaviLock with offset handle.

Easy to read "Vacant / In Use" lettering and 'fail safe' exit free functionality make this mortice lock the hardware of choice for specifiers and installers.



4 - Stainless steel indication plates.

### Design Features & Options

- ▮ The best code compliant, commercial-grade disabled toilet access lock available in Australasia.
- ▮ Important: to be Council compliant the Offset Lever option must be used for disabled toilets and the door needs to be a minimum width of 1050mm for a clear walk through of 850mm.
- ▮ Emergency release - access from outside is via an emergency release slide button.
- ▮ Self-latching when door is closed against jamb.
- ▮ Free to egress - single lever action unlocks and unlatches door simultaneously.
- ▮ Locks are handed - setting up exit free (not requiring unlocking from inside) is a breeze!
- ▮ Fail safe - door cannot be locked unintentionally upon exiting.
- ▮ Large, easy to read lettering showing Vacant/In Use indication.
- ▮ Lever handles are easily operated by able and disabled people.



5 - Use our factory fitting service for accurate fitting of hardware.

\*If LaviLock is to be installed into areas where there is exposure to corrosive environments, e.g. high chlorine or salt concentration, contact CS for an appropriate solution.

# Why specify CS CavitySliders?

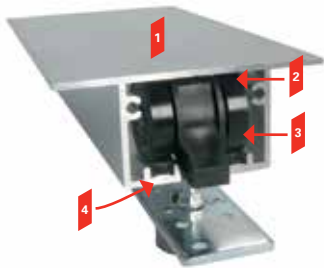
## Quality

Our aim is to make the best quality cavity sliders. Therefore, every component is uniquely designed with this in mind.

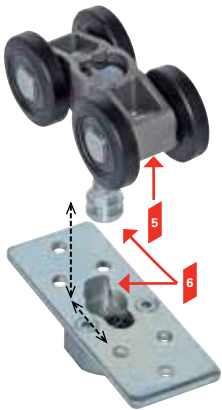
## Technology & Innovation

Our engineers focus on constantly developing new products and refining existing ones. That's why our products come with a number of unique features. A few exclusive **CS CavitySliders** features (refer to pics on left):

Standard 2-wheel carriage, mounting plate and track\*



Standard 4-wheel carriage & mounting plate\*



- 1 Heavy duty one-piece extruded aluminium track.
- 2 Minimal clearance means carriages/wheels cannot jump off track or jam.
- 3 Large diameter wheels with precision ground bearings make for smooth running.
- 4 Radiuses on track surfaces reduce friction and prevent dust build up on carriages.
- 5 Body made from cast stainless steel for strength and reliability. 4-wheel carriages are standard on all doors over 90kg.
- 6 **CarriSnap™** quick release system allows the door to be removed easily from the cavity without altering door height adjustments.

\*Aust. patent 2005202818

## Product Range

We have over 50 standard products or if you have other ideas, we can make to order.

## Our Guarantee

**WE GUARANTEE PRODUCT WITH OUR SERIAL CODES FOR UP TO TEN YEARS\***

\* Guarantee conditions apply. Contact CS for details.

Check out the full range of products and use our online calculator at:

[www.cavitysliders.com.au](http://www.cavitysliders.com.au)

# AutoCav™ WC

The CS AutoCav WC brings you a more hygienic toilet access door with the use of automation. This electrically powered unit is ideal for situations that require pedestrian or wheelchair access to toilets, secure hospital toilets, restaurants or toilets accessed from the exterior of a building.

Included with this unit are high quality stainless steel indicator plates, flashing green and red indicator lights and laser etched instructions.

High quality components have been designed for all parts of the system, ensuring reduced servicing intervals and product longevity. CS can supply a complete system including design and manufacture.

6 - The CS AutoCav WC provides easy access for everyone. ➔



7 - Entrance to parents room in shopping mall. CS AutoCav with NewYorker door leaf.

## Design Features & Options

- Ease of operation: compatible with most control switching devices.
- Safety features include jamb beams (sensors that detect objects in the direct path of the door), and auto-reversing of the door upon meeting an obstruction (NZS 4239-1993/ AS5007:2007).
- Interface capable - can be wired to an overriding PLC or to work in conjunction with fire alarms and security.
- In the event of power failure, the door can be manually opened or a battery backup can be supplied.
- Supplied fully assembled ready for on-site installation.



8 - Indicator plates with laser etched instructions and piezo buttons with LED.

# WC Solutions

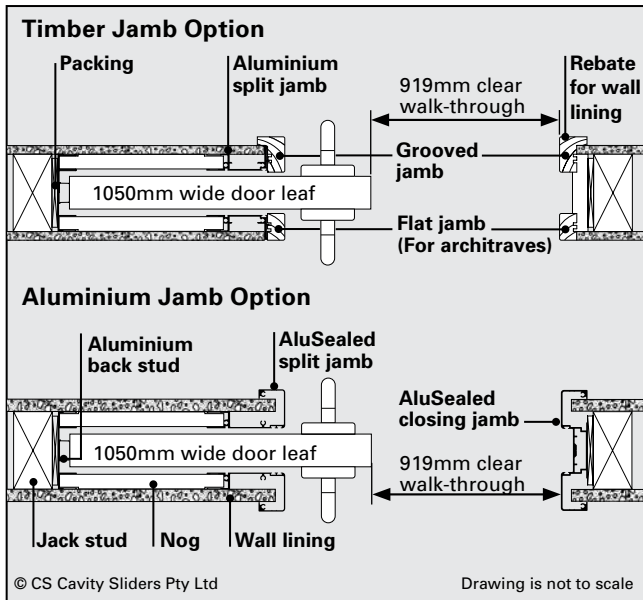
## Technical Information

### How to specify (example)

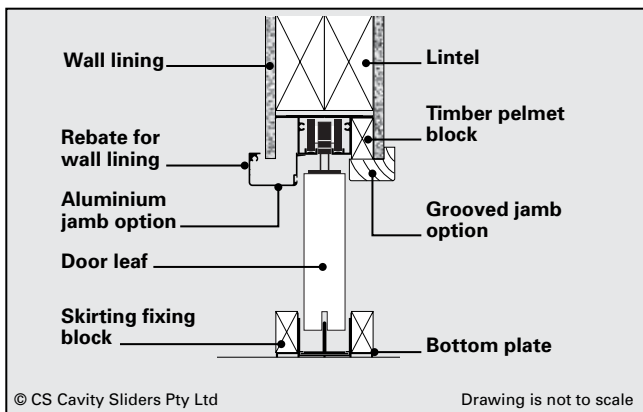
Product:	~ CS EasyOpen WC by CS Cavity Sliders
Location:	~ Toilet D801
Door leaf dimensions:	~ 2100mm x 1050mm
Door type:	~ Flush Solid Core
Door finish:	~ Paint
Jamb type & finish:	~ P/C Aluminium Titania
Framing size & material:	~ 90mm timber framing
Wall lining thickness:	13mm
Door gear type & finish:	~ CS 240kg track system
Handle type:	~ CL100 LaviLock
Automation:	~ Contact CS for advice

Full specifications are available on [www.natspec.com.au](http://www.natspec.com.au)

### Plan view (CAD)



### Elevation (CAD)



Drawings are not to scale. All dimensions in mm.

### Useful formulas (online calculator @ [www.csfordoors.co.nz](http://www.csfordoors.co.nz))

Dimension Required	Manual	Auto
Trim height*	DH + 95	DH + 260
Trim width*	DW x 2 - 70	DW x 2 + 30#
Distance between jambs*	DW - 31	DW - 31
Clear walk through	DW - 131	DW - 31#
Distance over jambs (Arch)	DW + 13	DW + 13
Distance over jambs (Grvd)	DW + 31	DW + 31
Distance over jambs (Alum)	DW + 31	DW + 31
Floor to top of head (Arch)	DH + 38.5	DH + 38.5
Floor to top of head (Grvd)	DH + 49.5	DH + 49.5
Floor to top of head (Alum)	DH + 44	DH + 44
Floor to underside of head*	DH + 18.5	DH + 18.5
Floor to u/s of head (Alum)	DH + 13.5	DH + 13.5

DH = Door Height

DW = Door Width

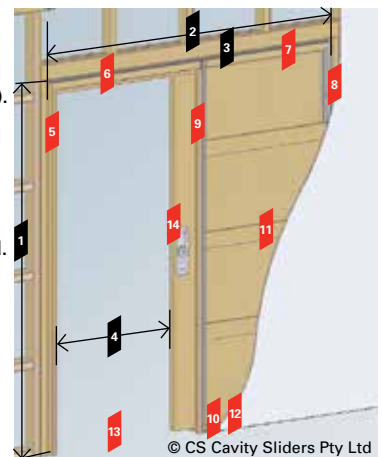
Note: All dimensions are in millimetres

\* Same calculations for both Architrave (Arch) & Grooved (Grvd) jambs

# Auto doors slide back flush.

## Standard CS EasyOpen WC Features

- 1 **Trim height**
- 2 **Trim width**
- 3 **Lintel** (part of wall framing).
- 4 **Clear walk through** of 850mm is achieved with 1050mm wide door
- 5 **Closing jamb**  
Always quoted as standard. Can be omitted if not needed.
- 6 **Jambs.** Available as:
  - Timber: flat for architrave; grooved for wall linings.
  - Aluminium: rebated for 13mm linings. P/C or anodised.
- 7 **Track in one piece**  
Heavy-duty aluminium.
- 8 **Back stud**  
Strong and made of reliable, heavy-duty aluminium.
- 9 **Split jambs**  
Timber jamb screw fixed to aluminium split jamb.
- 10 **Bottom plate**  
One-piece in aluminium.
- 11 **Pine nogs**  
Fitted on both sides and offset for adjacent wall fixing.



Extra nogs are available or can be replaced with a full sheet of ply on one side if fixing for a grab rail is required.

#### 12 Skirting blocks

Fitted on either side of the bottom plate, to fix both linings and skirting.

#### 13 No visible floor track or guide

A hidden T-guide at the base of the cavity pocket guides the door through opening.

#### 14 Code compliant LaviLock