

WardrobeSliders™

CS WardrobeSliders are a range of sliding wardrobe door solutions. The running system incorporates the same high-quality track and carriages used in CS CavitySliders. That's why CS WardrobeSliders are uncommonly smooth, quiet and extremely reliable.

A range of options are available, from the quick and easy **CS TopFix** for install into standard wall framing, to the **CS Premier** range which can be customised with a range of detail options.

CS WardrobeSliders are quality sliding door systems. They are supplied ready to install, complete with track, guides and optional jambs.



↑ 1 - A CS Premier 2T-140 two door unit fitted with 38mm thick joinery doors.

CS WardrobeSliders also have another major advantage - NO unsightly and annoying floor tracks to trip over or to attract dust and dirt.

Instead we've designed a tiny, virtually invisible floor guide. In partnership with the top-track and carriages, it ensures doors will never 'de-rail.'

Creating **STORAGE** Space

Wardrobes



Offices

Kitchenettes



Storage Cupboards

Why specify CS WardrobeSliders?

Quality

Our aim is to make the best quality wardrobe sliders.

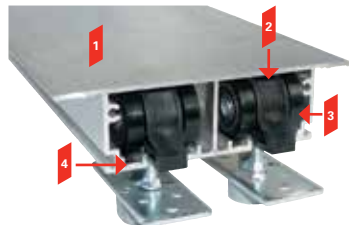
Technology & Innovation

We're constantly developing & refining products. That's why our products come with a number of unique features. A few of them are mentioned below (refer to pics on left):

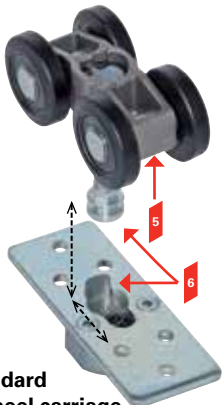
- 1 Heavy duty one-piece extruded aluminium track.
- 2 Minimal clearance means carriages/wheels cannot jump off track or jam.
- 3 Large diameter wheels with precision ground bearings make for smooth running.
- 4 Radiused track reduces friction & allows dust to be pushed into the little gutters.
- 5 4-wheel carriages are standard on all doors over 90kg. Body made from cast stainless steel for strength & reliability.
- 6 **CarriSnap** quick release system allows the door to be removed easily from cavity - no need to unscrew anything and lose door height adjustment.
- 7 Floor guide (not visible in door opening).
- 8 Packers (for tiled and carpeted areas).

Product Range

We have over 50 standard products, or if you have other ideas we can make to order.



Standard 2-wheel carriages & mounting plates* (CS Premier 2T-140 track shown)



Standard 4-wheel carriage & mounting plate*



Exploded view of the floor guide used for 2 door units.

*Patent 2005 202818

WE GUARANTEE PRODUCT WITH OUR SERIAL CODES FOR UP TO TEN YEARS*

*Guarantee conditions apply. Contact CS GROUP for details.

TopFix 2T-90™

The **CS TopFix 2T-90** fits into standard 90mm framing and is easier to install and finish than similar products on the market as timber head jambs are not required. This product suits any wardrobe situation where space is at a premium.

Standard timber doors can be used, ensuring hinged and wardrobe doors match.



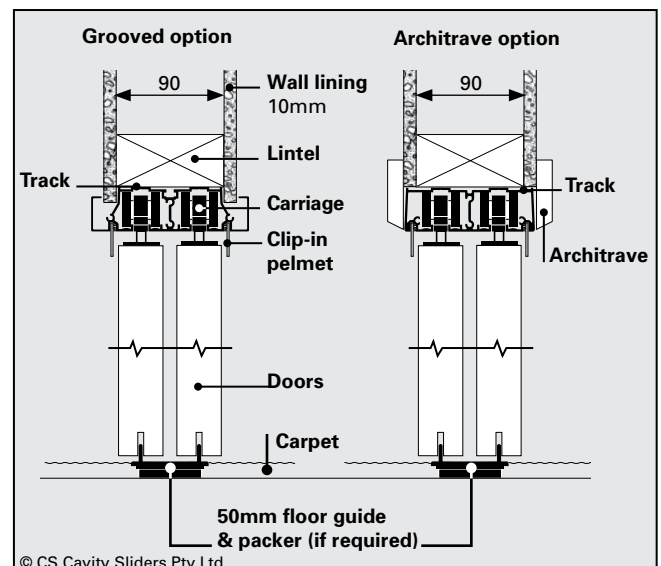
5- CS TopFix 2T-90 two door wardrobe sliders. Doors match other internal doors.

Design Features & Options

- Designed to fit into standard 90mm wall framing.
- Timber head jambs are not required.
- Vertical jambs can be supplied as optional extras.
- Grooved or architraved options available.
- Suits standard 35-38mm thick doors up to 90kg per two carriages.
- Supports a 2 or 4 door set-up.*
- No full-length floor tracks.
- Easy to install.

*Contact CS for more info.

Elevation (CAD)



© CS Cavity Sliders Pty Ltd

Check out the full range of products and use our on-line calculator at:

www.cavitysliders.com.au

CS Premier 2T-140™

The CS Wardrobes Premier range is a complete sliding wardrobe door solution with the option of a double or triple top track. This product includes closing jambs (if required), tracks, carriages, guides, and head jambs.

The CS Premier 2T-140 top-hung double track system supports a 2, 3 or 4 door set up and has no unsightly and annoying floor tracks to trip over or to attract dust and dirt.

The tiny hidden floor guide in partnership with the top-track and carriages ensures doors run smoothly and will never 'de-rail.'



▲ 2 - Close up of the 2T-140 double track system.



▲ 3 - An overhead CS Premier 2T-140, two door unit.

CS Premier 3T-190™

The CS Premier 3T-190 triple top track system is designed to fit into 190mm framing and able to take 3, 6 or more doors. These units include a full-length floor guide for stability.

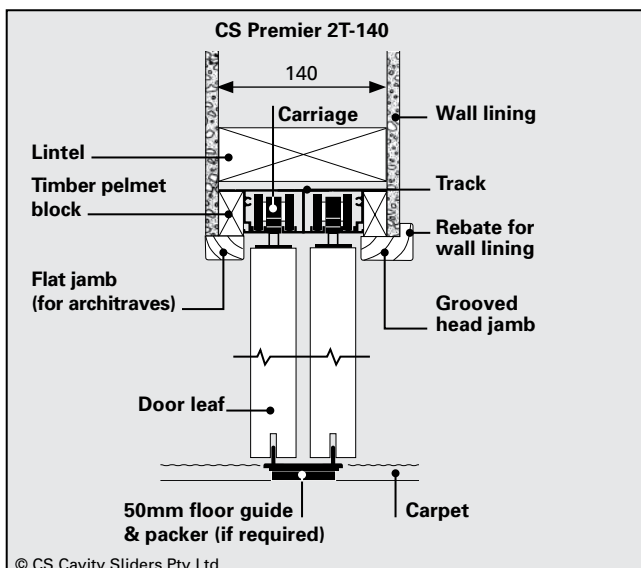


▲ 4 - CS Premier 3T-190, three door unit with CS NewYorker door leaves.

Design Features & Options

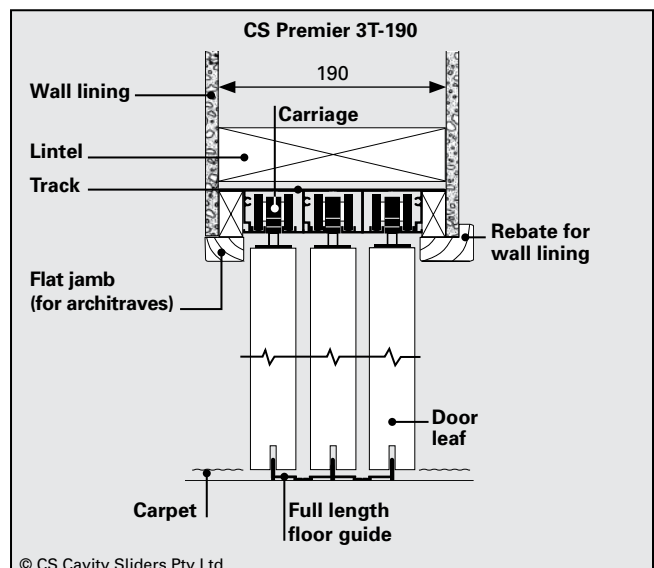
- ▲ Fits into standard wall framing (140 or 190mm x 45mm kiln dry).
- ▲ Available with timber or aluminium jambs in a range of timbers and colour finishes.
- ▲ Supports a range of door set-ups from 2 to 6 doors.
- ▲ Non-standard height and width doors can be accommodated.
- ▲ No full-length floor tracks on 2T-140 units.

Elevation (CAD)



Drawings are not to scale. All dimensions in mm.

Elevation (CAD)



Premier 2T-140™

Dimension Required	2T-140, 2 doors	2T-140, 3 doors
Trim height*	DH + 95	DH + 95
Trim width*	(DWx2)	(DWx3) - 50
Distance between jambs*	(DWx2) - 80	(DWx3) - 130
Floor to underside of head (Arch)	DH + 18.5	DH + 18.5
Floor to underside of head (Grvd)	DH + 18.5	DH + 18.5
Floor to underside of head (Alum)	DH + 13.5	DH + 13.5

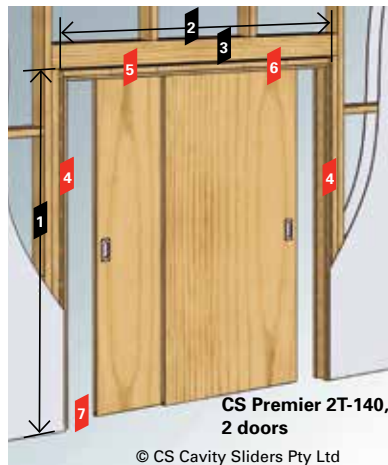
DH = Door Height DW = Door Width * = Same calculations for Architrave (Arch), Grooved (Grvd) & Aluminium (Alum) jambs. Note: All dimensions are in millimetres.

Premier 3T-190

Dimension Required	3T-190, 3 doors	3T-190, 6 doors
Trim height*	DH + 95	DH + 95
Trim width*	(DWx3) - 50	(DWx6) - 150
Distance between jambs*	(DWx3) - 130	(DWx6) - 230
Floor to underside of head (Arch)	DH + 18.5	DH + 18.5
Floor to underside of head (Grvd)	DH + 18.5	DH + 18.5
Floor to underside of head (Alum)	DH + 13.5	DH + 13.5

Standard CS Premier Features

- 1 Trim height
- 2 Trim width
- 3 Lintel (part of wall framing).
- 4 Closing jamb(s)
Always quoted as standard.
Can be omitted if not required.
- 5 Jamb liners
Available as:
 - flat jambs ready for architraves or
 - grooved (rebated) ready for wall linings.
 - aluminium jambs.
- 6 Track in one piece - Heavy-duty aluminium.
- 7 No visible floor track or guide
Door opening is always clear.
(CS Premier 2T-140, 2 doors option only.)
- 8 Full length floor guide
Required for CS Premier 3T-190, 3 doors option.



Detail Options

- Full-Height™
- NoClosingJamb™
- ShadowLine™

- SquareStop™
- Extra-WideJambs™

Check out our detail options in more detail online: www.cavitysliders.com.au

TopFix 2T-90™

Useful formulas

Dimension Required	2 Door Units
Trim height*	DH + 80
Floor to underside of track*	DH + 35
Trim width (Arch)	(DWx2) - 2
Trim width (Grvd)	(DWx2) + 20
Distance between jambs*	(DWx2) - 50
Distance over jambs (Arch)	(DWx2) - 12
Distance over jambs (Grvd)	(DWx2) + 10

DH = Door Height DW = Door Width
*Same calculations for Architrave (Arch) & Grooved (Grvd) jambs.
Note: All dimensions are in millimetres.



6 - Close up of the 2T-140 two door system.

Drawings are not to scale. All dimensions in mm.