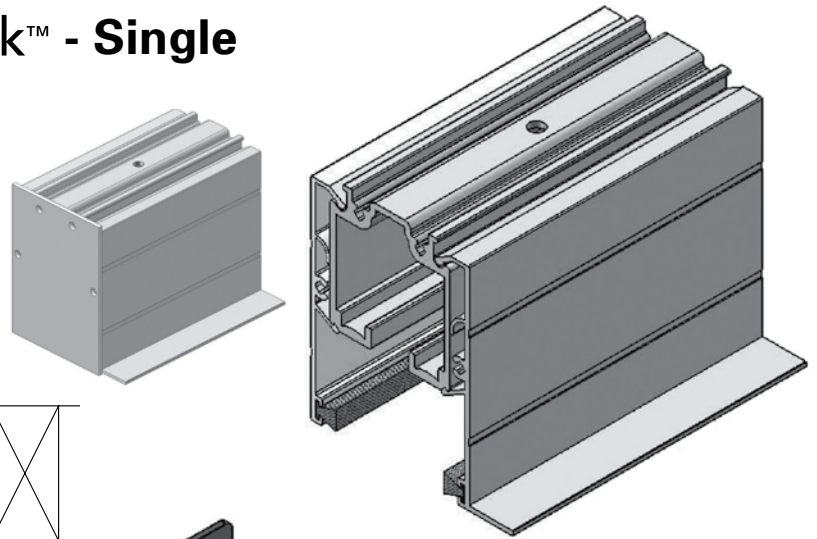


PartitionTopMountTrack™ - Single

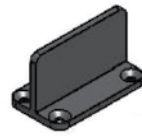
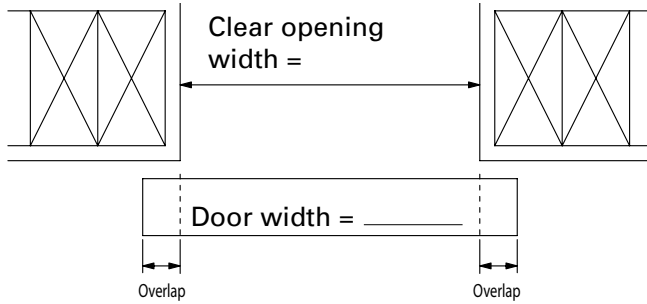
Door width = _____

Track length = _____

Overlap = 50 / 70 / 100

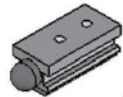


Plan

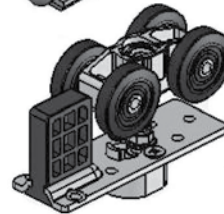


COMES COMPLETE WITH:

FLOOR GUIDE

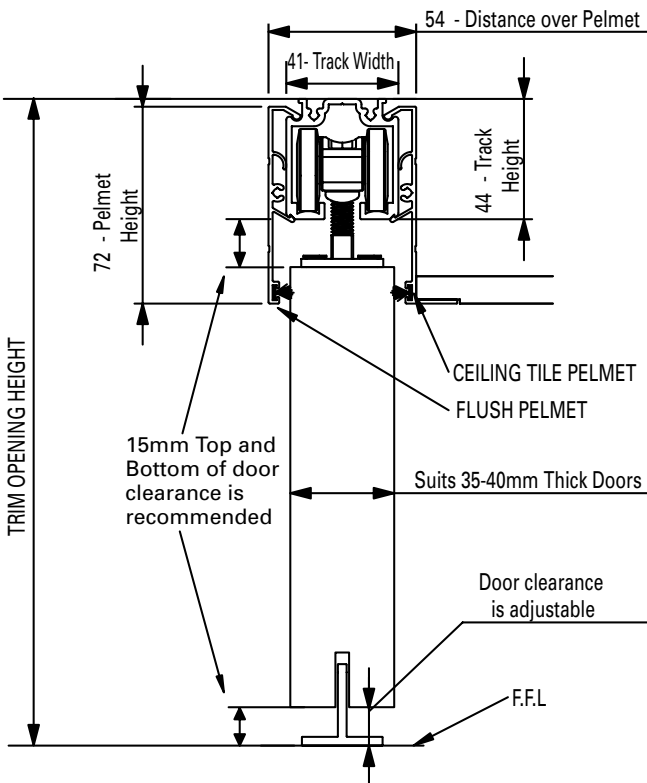


TRACK STOP AT EACH END OF TRACK



2x M8 (4 WHEEL) CARRIAGES WITH DOOR STOP MOUNTING PLATE

Elevation



Two pelmet options are available with this system: The flush version is shown mounted on the left hand side and a legged version is shown on the right hand side. The horizontal leg allows for ceiling tiles to rest on as part of a ceiling grid. All tracks supplied with pre-drilled fixing holes.

Door Height Calculation

Trim opening height (F.F.L only) _____
 Less track height (44mm) _____
 Less clearance above door (15mm suggested) _____
 Less below door clearance (15mm suggested) _____
 Door height = _____

Door Width Calculation

(50mm overlap) Clear opening + 100mm = _____
 (70mm overlap) Clear opening + 140mm = _____
 (100mm overlap) Clear opening + 200mm = _____

Drawings are not to scale. All dimensions in mm.

60307/1.04.2018

CS Cavity Sliders Pty. Ltd.
 T 02 9905 0588
 F 02 9905 7088

www.cavitysliders.com.au
 info@cavitysliders.com.au

PO Box 158
 Freshwater, NSW 2096

Another quality product from:
 **CavitySliders**
 Innovative Door Solutions

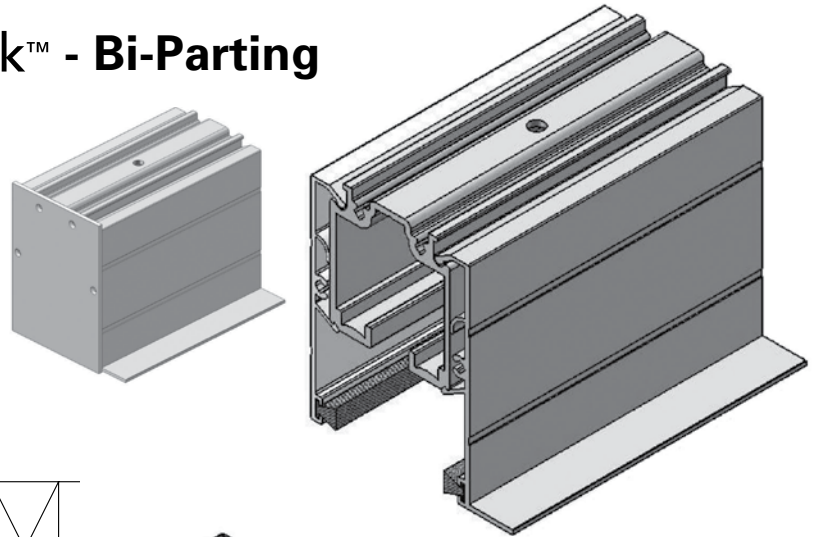
Disclaimer: All drawings are suggested detail only and not for engineering purposes. CS Cavity Sliders Pty Ltd accepts no responsibility for errors or omissions in drawing. Drawings and details may be subject to change. The information contained in this drawing is the sole property of CS Cavity Sliders Pty Ltd. Any reproduction, disclosure or use of this document without the written permission of CS Cavity Sliders Pty Ltd is strictly prohibited.

PartitionTopMountTrack™ - Bi-Parting

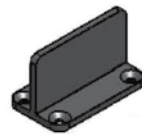
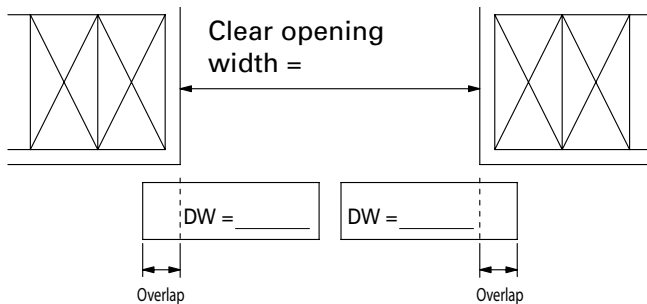
Door width = _____

Track length = _____

Overlap = 50 / 70 / 100

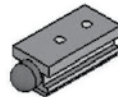


Plan

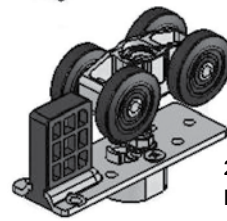


COMES COMPLETE WITH:

FLOOR GUIDE

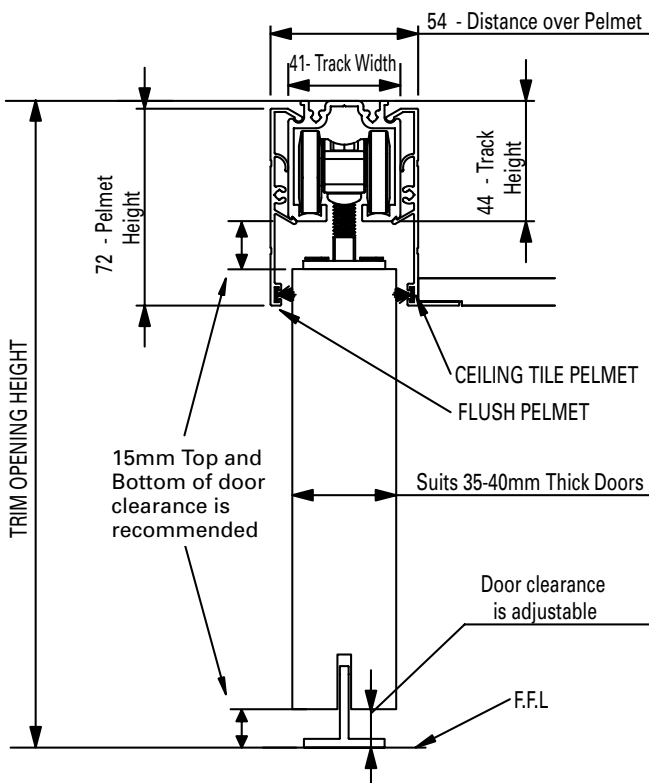


TRACK STOP AT EACH END OF TRACK



2x M8 (4 WHEEL) CARRIAGES WITH
DOOR STOP MOUNTING PLATE

Elevation



Two pelmet options are available with this system: The flush version is shown mounted on the left hand side and a legged version is shown on the right hand side. The horizontal leg allows for ceiling tiles to rest on as part of a ceiling grid.

All tracks supplied with pre-drilled fixing holes.

Door Height Calculation

Trim opening height (F.F.L only) _____

Less track height (44mm) _____

Less clearance above door
(15mm suggested) _____

Less below door clearance
(15mm suggested) _____

Door height = _____

Door Width Calculation

(50mm overlap)
Clear opening + 100mm ÷ 2 = _____

(70mm overlap)
Clear opening + 140mm ÷ 2 = _____

(100mm overlap)
Clear opening + 200mm ÷ 2 = _____

Drawings are not to scale. All dimensions in mm.

60307/2 04.2018

CS Cavity Sliders Pty. Ltd.
T 02 9905 0588
F 02 9905 7088

www.cavitysliders.com.au
info@cavitysliders.com.au

PO Box 158
Freshwater, NSW 2096

Another quality product from:

CavitySliders
Innovative Door Solutions

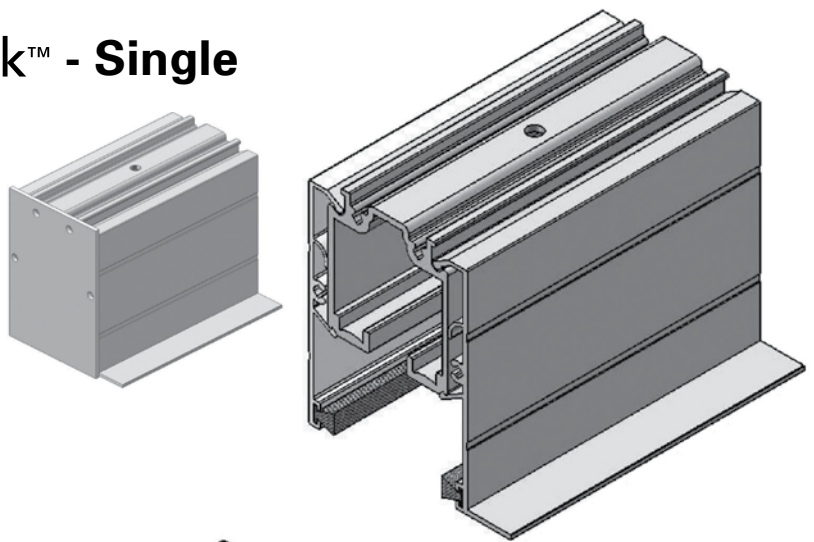
Disclaimer: All drawings are suggested detail only and not for engineering purposes. CS Cavity Sliders Pty Ltd accepts no responsibility for errors or omissions in drawing. Drawings and details may be subject to change. The information contained in this drawing is the sole property of CS Cavity Sliders Pty Ltd. Any reproduction, disclosure or use of this document without the written permission of CS Cavity Sliders Pty Ltd is strictly prohibited.

CS PartitionTopMountTrack™ - Single

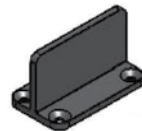
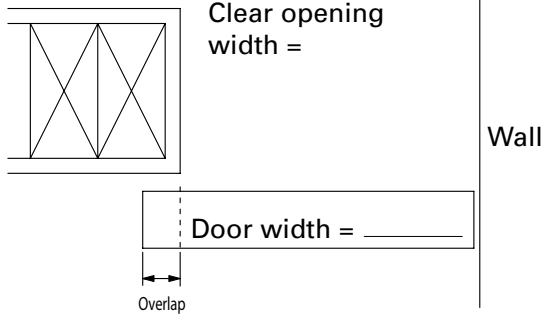
Door width = _____

Track length = _____

Overlap = 50 / 70 / 100

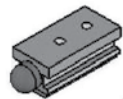


Plan

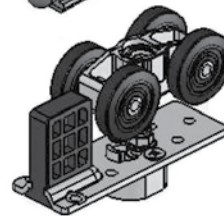


COMES COMPLETE WITH:

FLOOR GUIDE

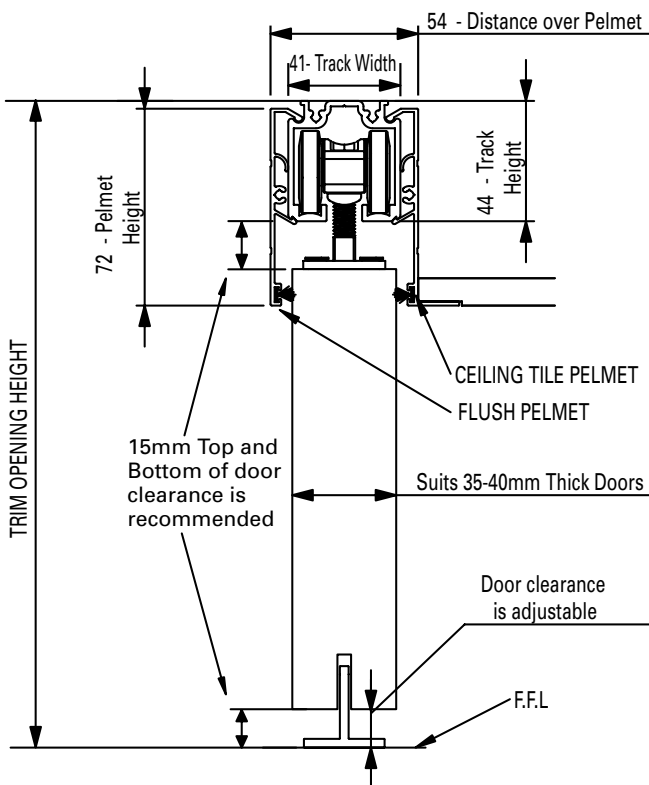


TRACK STOP AT EACH END OF TRACK



2x M8 (4 WHEEL) CARRIAGES WITH DOOR STOP MOUNTING PLATE

Elevation



Two pelmet options are available with this system: The flush version is shown mounted on the left hand side and a legged version is shown on the right hand side. The horizontal leg allows for ceiling tiles to rest on as part of a ceiling grid. All tracks supplied with pre-drilled fixing holes.

Door Height Calculation

Trim opening height (F.F.L only) _____
 Less track height (44mm) _____
 Less clearance above door (15mm suggested) _____
 Less below door clearance (15mm suggested) _____
 Door height = _____

Door Width Calculation

(50mm overlap)
 Clear opening + 50mm = _____
 (70mm overlap)
 Clear opening + 70mm = _____
 (100mm overlap)
 Clear opening + 100mm = _____

Drawings are not to scale. All dimensions in mm.

60307/1.04.2018

CS Cavity Sliders Pty. Ltd.
 T 02 9905 0588
 F 02 9905 7088

www.cavitysliders.com.au
 info@cavitysliders.com.au

PO Box 158
 Freshwater, NSW 2096

Another quality product from:

 Innovative Door Solutions

Disclaimer: All drawings are suggested detail only and not for engineering purposes. CS Cavity Sliders Pty Ltd accepts no responsibility for errors or omissions in drawing. Drawings and details may be subject to change. The information contained in this drawing is the sole property of CS Cavity Sliders Pty Ltd. Any reproduction, disclosure or use of this document without the written permission of CS Cavity Sliders Pty Ltd is strictly prohibited.

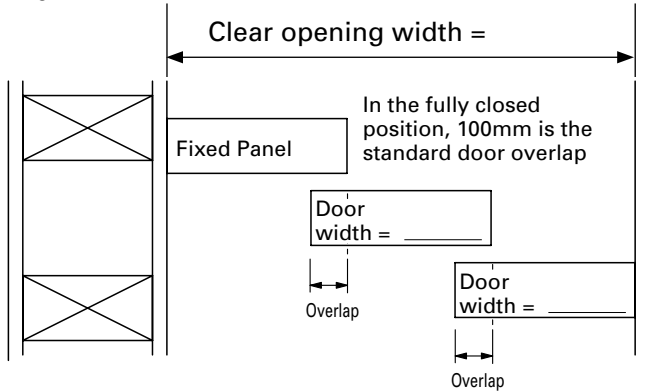
PartitionTopMountTrack™ - Double

Door width = _____

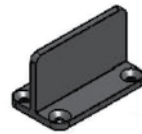
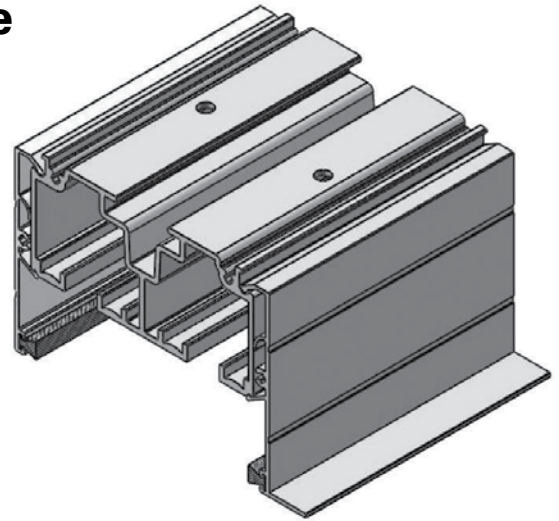
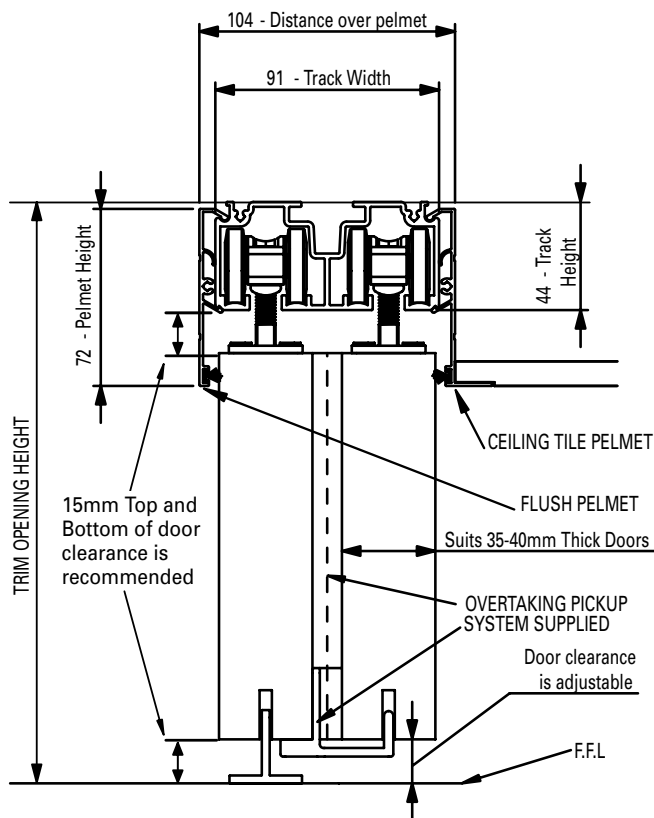
Track length = _____

Overlap = 50 / 70 / 100

Plan

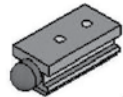


Elevation

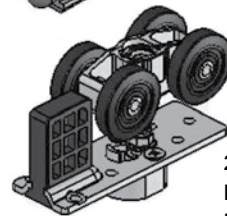


COMES COMPLETE WITH:

FLOOR GUIDE



TRACK STOP AT EACH END OF TRACK



2x M8 (4 WHEEL) CARRIAGES WITH DOOR STOP MOUNTING PLATE PER DOOR

Two pelmet options are available with this system: The flush version is shown mounted on the left hand side and a legged version is shown on the right hand side. The horizontal leg allows for ceiling tiles to rest on as part of a ceiling grid. All tracks supplied with pre-drilled fixing holes.

Door Height Calculation

Trim opening height (F.F.L only) _____

Less track height (44mm) _____

Less clearance above door (15mm suggested) _____

Less below door clearance (15mm suggested) _____

Door height = _____

Door Width Calculation

Clear opening _____

+ (no. of o/laps) x (size of o/lap) _____
50 / 70 / 100

÷ no. of doors & fixed panels = _____

Drawings are not to scale. All dimensions in mm.

60307/4.04.2018

CS Cavity Sliders Pty. Ltd.
T 02 9905 0588
F 02 9905 7088

www.cavitysliders.com.au
info@cavitysliders.com.au

PO Box 158
Freshwater, NSW 2096

Another quality product from:

CavitySliders
Innovative Door Solutions

Disclaimer: All drawings are suggested detail only and not for engineering purposes. CS Cavity Sliders Pty Ltd accepts no responsibility for errors or omissions in drawing. Drawings and details may be subject to change. The information contained in this drawing is the sole property of CS Cavity Sliders Pty Ltd. Any reproduction, disclosure or use of this document without the written permission of CS Cavity Sliders Pty Ltd is strictly prohibited.