

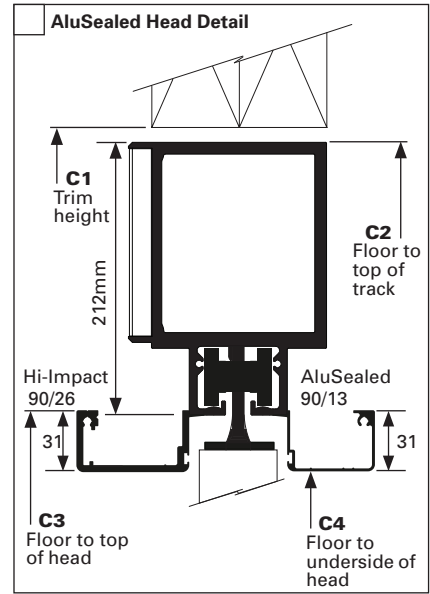
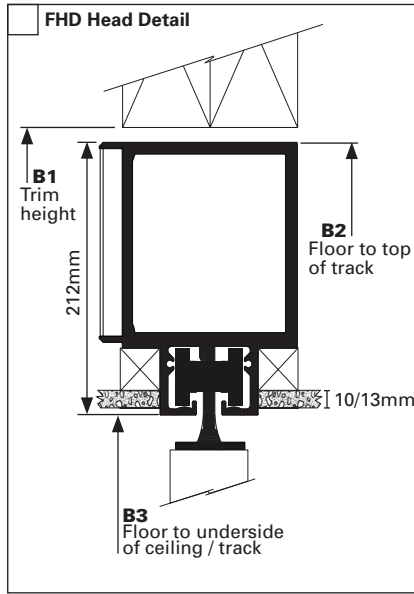
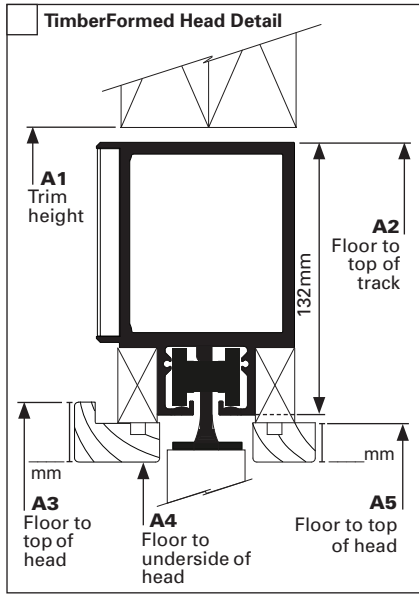
Customer _____
 Rep initials _____ Date _____
 Address/
 contact _____

 Door location _____



Only one Door per Form

Please match one of the Head Detail drawings with one of the Plan View drawings.



Critical height dimension agreed: **A1 A2 A3 A4 A5 B1 B2 B3 C1 C2 C3 C4** (Circle one only) is: _____ mm.

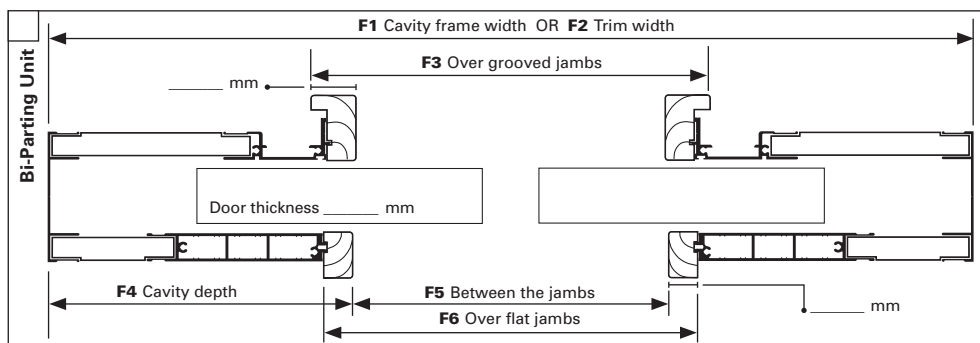
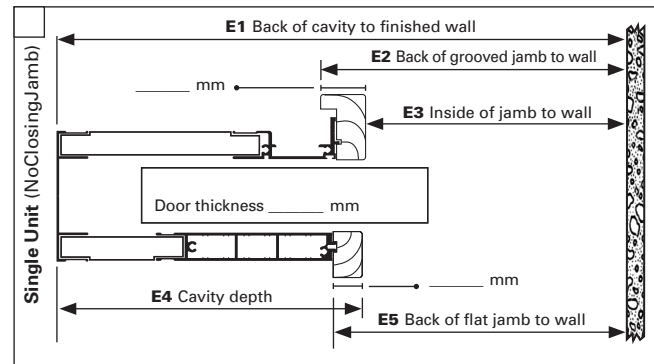
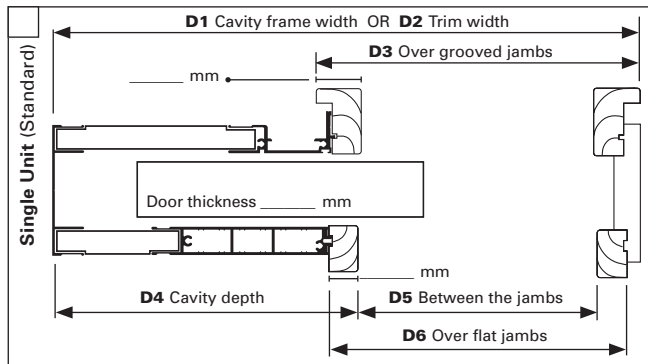
Flooring

Will cavity frame sit hard on top of the floor? Yes No
 Is the floor existing at time of site measure? Yes No
 Proposed thickness of floor covering = _____ mm
 Is a gap under the door of 25mm (before floor coverings) acceptable? Yes No

Wall configuration

10/90/10 13/90/13 26/90/26 Other _____
 Is ceiling batten in place? Yes No
 Is framing / resizing required on site? Yes No
 Dimensions given by builder (not measured) Yes No

Add _____ mm (max 15) to door height **OR** reduce cavity height by _____ mm (max 15) to reduce under door gap.



Mutually Agreed Critical Measurement of Dimension:

D1 D2 D3 D4 D5 D6
E1 E2 E3 E4 E5
F1 F2 F3 F4 F5 F6

(Please circle one only)

is: _____ mm.

The following information is required before manufacture of your unit can begin.
Please check / fill out as many details as possible and email back to us. **(ONE DOOR PER FORM)**

1 Job / Door Details

Job name _____

CS Ref: **SA** _____

Door location _____

Unit type:

Cavity Wall mounted Track/head only

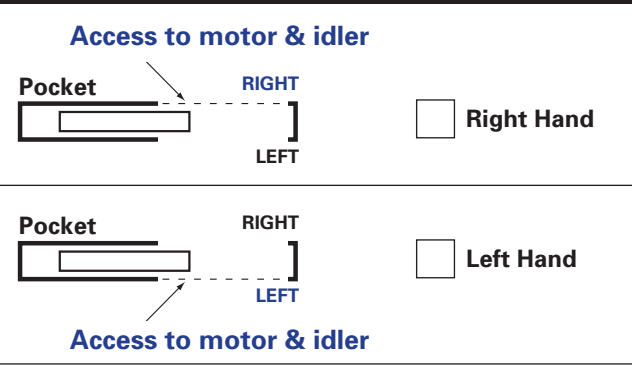
Additional fixing methods required? Yes No

Specify: _____

Door type:

Timber CS NewYorker
 CS AluTec FramelessGlass
 Customer Supplied

Door Handing (please tick)



Door/glass details: _____

Door configuration: Single Bi-parting

Door size / trim size (circle one): _____ mm high X _____ mm wide

Walk through: _____

Door weight: <100kg

Seals required (e.g. triple base seal, jamb seal) _____

Jamb detail:

Architrave SquareStop
 Grooved Full-Height
 Aluminium NoClosingJamb
 ShadowLine SquareFormed

Jamb type:

Pine
 Other: _____

Extra features:

Bracing
 H3 Components
 Ply Panels

Wall lining thickness: _____

2 Door Function

Normal position: Open Closed

Hold open option required? Yes No

LEFT SIDE: Activated by (see options below) _____

RIGHT SIDE: Activated by (see options below) _____

The door will open: normally (400mm/sec) quickly (500mm/sec) **and then**
 close after ____ (0-10) sec: slowly (100mm/sec) normally (300mm/sec) quickly (500mm/sec)

Optional extras: Safety beams Motor lock Advanced loom

Security: Lock from LHS Lock from RHS Lock from both sides

The following information is required before manufacture of your unit can begin. Please check / fill out as many details as possible and email back to us. **(ONE DOOR PER FORM)**

3 Activation Packs

ACPAC001
PLC CONTROLLED (STD)

- Pack includes:**
- Clean contacts for customer supplied activation
 - 8 Inputs customisable with momentary & latching
 - Open/close/hold/lock/emergency open/safety & more
 - 6 Outputs customisable including door state & more
 - Pre wire of above components

For use with existing security or automation systems. Supply your own activation devices such as prox card.

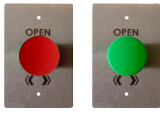
ACPAC003
PDL SWITCH

- Pack includes:**
- PDL switch kit x 2
 - Spring return switch x 2
 - Pre wire of above components

Classic light switch style activation allows for discreet placement that can match the style of existing switches elsewhere in your building

ACPAC005
P/BUTTON ACCESS

- Pack includes:**
- Heavy duty push buttons x 2 (choose black, red or green)
 - Push to open s/steel plate x 2
 - 3 position key switch + s/steel plate x 1
 - Locking or non locking functionality
 - Pre wire of above components



Heavy duty push buttons are perfect for use in areas that see a lot of pedestrian traffic, sturdy design keeps your activation safe in a public setting

ACPAC008
OVERHEAD SENSOR

- Pack includes:**
- Overhead sensors x 2
 - 3 position switch + s/steel plate x 1
 - Locking or non locking functionality
 - Pre wire of above components

Functional and practical, overhead sensors are a mainstay for many auto door solutions

4 Site Details

Delivery address (if different from quote) _____

Site contact _____ Phone _____

Automation contact _____ Phone _____

Security contact _____ Phone _____

Electrical contact _____ Phone _____

Special delivery instructions _____

Access considerations _____

5 Specifications

Motor M005 – Microcomputer control box C005

MODEL M005 (Telescopic)

Power supply	AC 220V ± 10% 3A 50/60Hz AC 120V ± 10% 3A 50/60Hz
Applicable types	ADD-ON DC, CN
Max. door weight	DC type: 100 kg for single leaf, 85kg x 2 for bi-parting
Safety function	Safety turn in full speed section Safety stop in slow speed section
Opening speed	Fast (500mm/sec) / Slow (400mm/sec) selectable by DIP switch
Closing speed	100~500mm/sec is adjustable on controller
Slow close speed	20mm/sec. Speed is fixed after slowing down
Brake position	Automatically set according to door weight
Slow speed distance	Position 0-55mm from close where door speed starts to slow. Position is adjustable on controller
Hold time	Time door is held open. Adjustable between 0~10sec on controller.
Door opening width	Adjustable to 10~100% as an extra function (CS supply as 100%, adjustability is additional extra).
In power failure	Door can be opened manually by hand under 30N (3kgf) when power is lost. No battery backup available by CS.
Power consumption	Opening & closing: 30W
Max output	20W
Insulation voltage	AC1000 (50Hz) 1 min
Ambient temperature	0~40°C, humidity 25~75% No dew

6 Commissioning

All CS Automatic Units are tested and pre-commissioned at the factory. We strongly recommend that CS FOR DOORS performs an on-site commissioning of all AutoCav units following installation. If you decide to use an alternate vendor for commissioning it is your responsibility to ensure they are suitably qualified and familiar with this product. Any works required of CS after commissioning by that vendor, including online or phone support, will be chargeable. CS FOR DOORS also offer a limited 'on-line' commissioning service which can be performed along with your vendor commissioning. For details and a quotation on any commissioning service please contact us.

7 Recommended Service Plan

CS AutoCav units should be serviced approximately every 5000 uses. Door usage guidelines are as follows:

- Low use: Doors are used 10-20 times a day (3500-7000 open cycles per year)
- Moderate use: Doors are used 30-40 times a day (10,000 - 15,000 open cycles per year)
- High use: Doors are used several times an hour or 50-60 times a day (17,500 – 20,000 + open cycles per year)

Warranty Information

This automated cavity slider comes as standard with a 5 year warranty (12 mths on electrical components). Contact CS FOR DOORS for a copy.