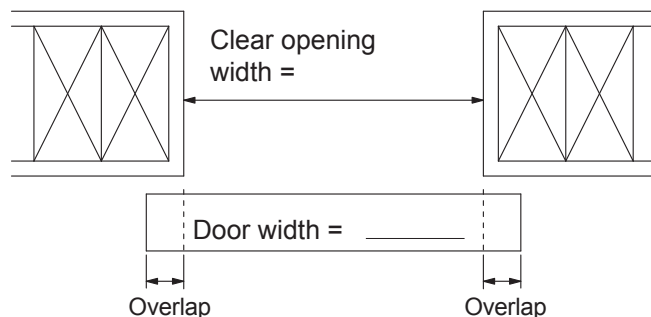


Date _____ Door location _____
 Customer _____
 Site _____
 Contact _____
 Phone _____
 Email _____

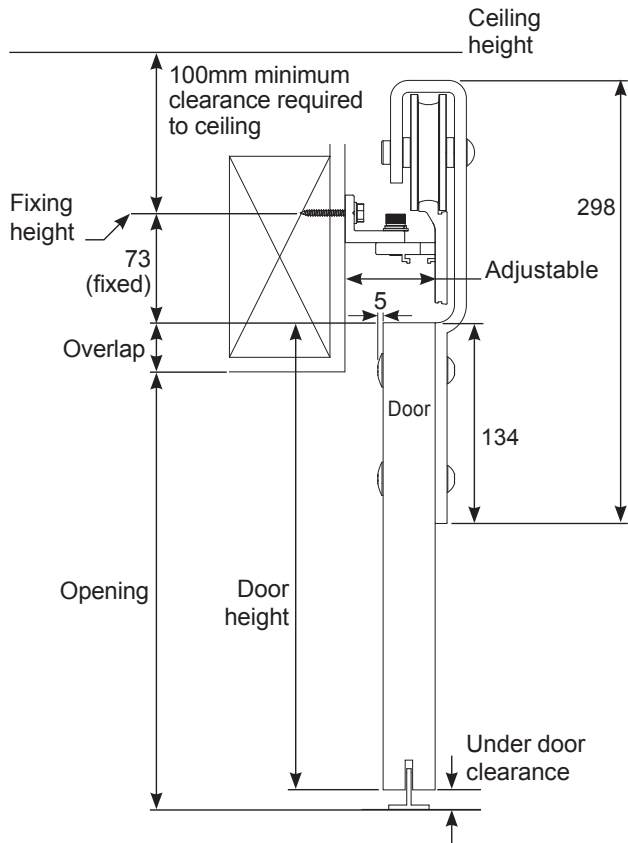
Measured from quote S _____

Door width = _____
 Track length = _____
 Overlap = 50 / 70 / 100

Plan



Elevation



Only one Door per Form



Requires
1x Hanger Pack
(sold separately)
which contains:
 2x HANGER BRACKETS
 2x TRACK STOPS
 FLOOR GUIDE

Door Height Calculation

Opening _____
 + Overlap _____
 Less Under Door clearance _____
 Door Height = _____

Door Width Calculation

Clear opening _____
 + (2 x overlap) _____
 Door width = _____

Track Length Calculation

(DW x 2) _____
 + 100mm (fixed) **+100**
 - overlap _____
 Track length = _____

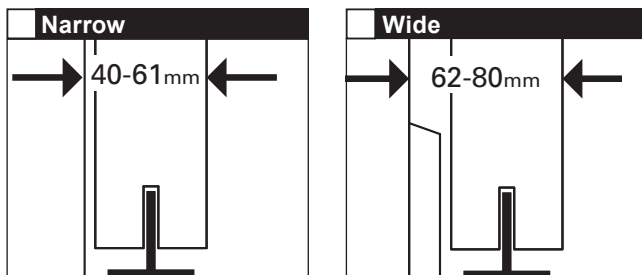
Fixing Height Calculation

Door Height _____
 + 73mm (fixed) **+73**
 + Under Door clearance _____
 Fixing Height = _____

Determine overall thickness

Track is supplied with either a Narrow or Wide track bracket which can be adjusted to suit an overall thickness of door + gap + architrave of:

40 - 61mm (Narrow option) or 62 - 80mm (Wide option).



©CS Cavity Sliders Pty. Ltd. 60309AU/1 Site Measure BarnDoorTrack 08.2021

Please contact your rep for job progress enquiries or contact our office: **02 9905 0588**

Email: estimating@cavitysliders.com.au

Signed by CS rep _____

Signed by (or on behalf of customer) _____

Rep's contact no. _____

Print name _____

BarnDoorTrack™ Site Measure Form - Single

Date _____ Door location _____
 Customer _____
 Site _____
 Contact _____
 Phone _____
 Email _____
 Measured from quote S _____

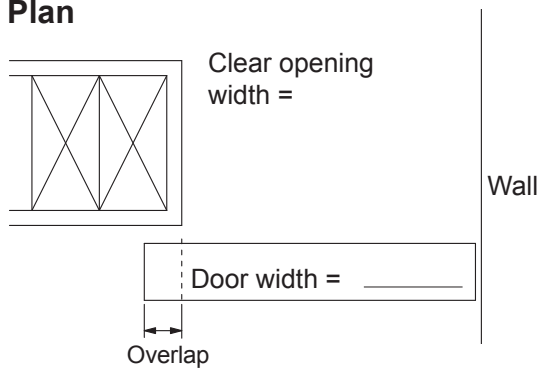
Only one Door per Form



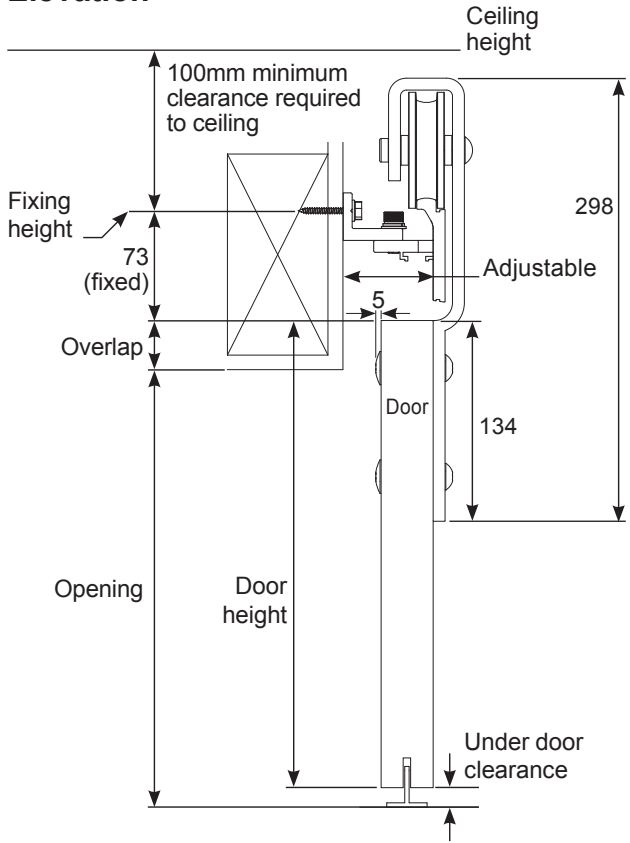
Requires
1x Hanger Pack
(sold separately)
which contains:
 2x HANGER BRACKETS
 2x TRACK STOPS
 FLOOR GUIDE

Door width = _____
 Track length = _____
 Overlap = 50 / 70 / 100

Plan



Elevation



Door Height Calculation

Opening _____
 + Overlap _____
 Less Under Door clearance _____
 Door Height = _____

Door Width Calculation

Clear opening _____
 + overlap _____
 Door width = _____

Track Length Calculation

(DW x 2) _____
 + 100mm (fixed) **+100**
 - overlap _____
 Track length = _____

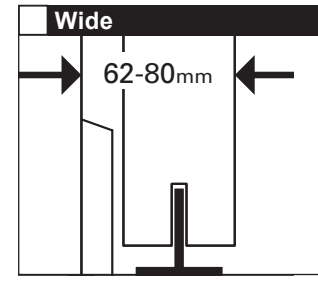
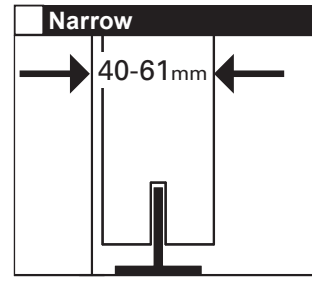
Fixing Height Calculation

Door Height _____
 + 73mm (fixed) **+73**
 + Under Door clearance _____
 Fixing Height = _____

Determine overall thickness

Track is supplied with either a Narrow or Wide track bracket which can be adjusted to suit an overall thickness of door + gap + architrave of:

40 - 61mm (Narrow option) or 62 - 80mm (Wide option).



Please contact your rep for job progress enquiries or contact our office: **02 9905 0588**
 Email: estimating@cavitysliders.com.au

Signed by CS rep _____
 Rep's contact no. _____

Signed by (or on behalf of customer) _____
 Print name _____

©CS Cavity Sliders Pty. Ltd. 60309AU/2 Site Measure BarnDoorTrack 08.2021

BarnDoorTrack™ Site Measure Form - Single (Closing against wall)

Date _____ Door location _____

Customer _____

Site _____

Contact _____

Phone _____

Email _____

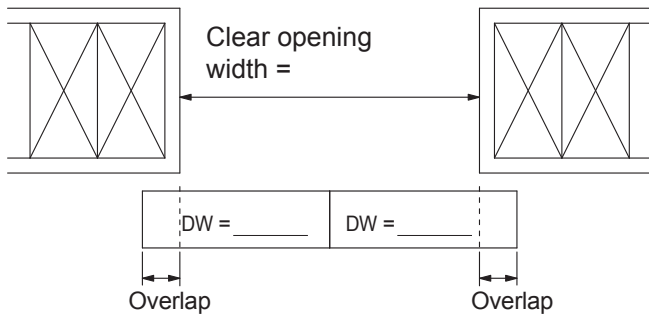
Measured from quote S _____

Door width = _____

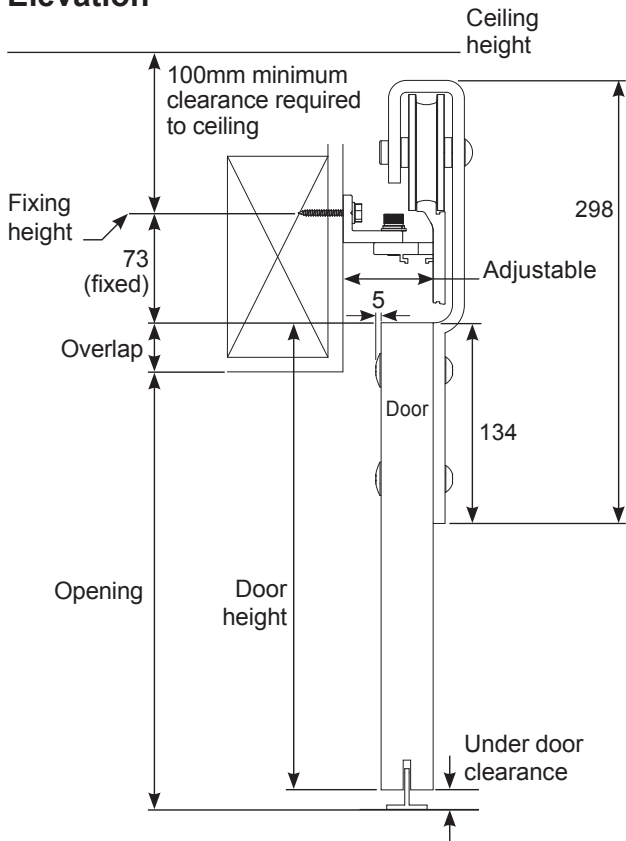
Track length = _____

Overlap = 50 / 70 / 100

Plan



Elevation



Only one Door per Form



Requires
1x Hanger Pack per door
(sold separately)
which contains:
 2x HANGER BRACKETS
 2x TRACK STOPS
 FLOOR GUIDE

Door Height Calculation

Opening _____

+ Overlap _____

Less Under Door clearance _____

Door Height = _____

Door Width Calculation

Clear opening _____

+ (2 x overlap) _____

÷ 2 _____

Door width = _____

Track Length Calculation

(DW x 4) _____

+ 100mm (fixed) _____ **+100**

- (2 x overlap) _____

Track length = _____

Fixing Height Calculation

Door Height _____

+ 73mm (fixed) _____ **+73**

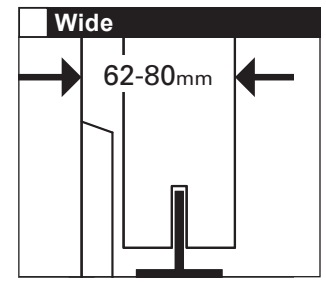
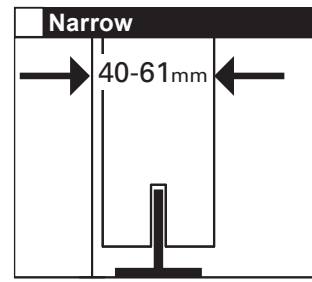
+ Under Door clearance _____

Fixing Height = _____

Determine overall thickness

Track is supplied with either a Narrow or Wide track bracket which can be adjusted to suit an overall thickness of door + gap + architrave of:

40 - 61mm (Narrow option) or 62 - 80mm (Wide option).



Please contact your rep for job progress enquiries or contact our office: **02 9905 0588**

Email: estimating@cavitysliders.com.au

Signed by CS rep _____

Signed by (or on behalf of customer) _____

Rep's contact no. _____

Print name _____