

Only one Door per Form

Date _____ Door location _____

Customer _____

Site _____

Contact _____

Phone _____

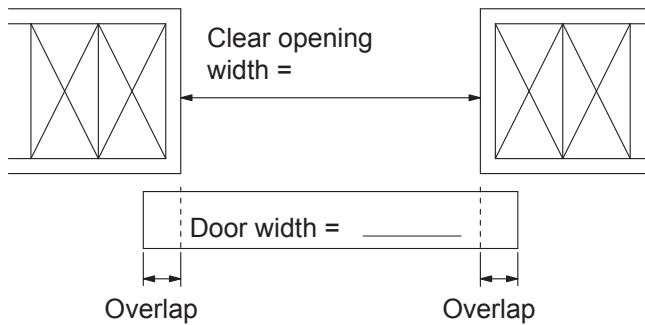
Email _____

Measured from quote S _____

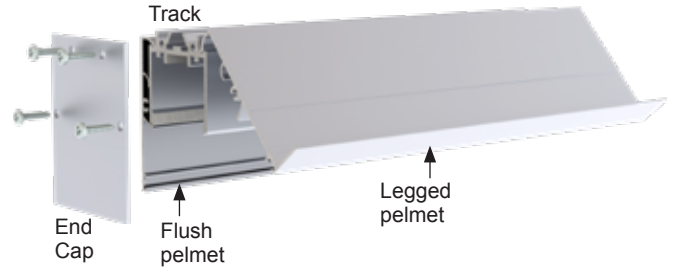
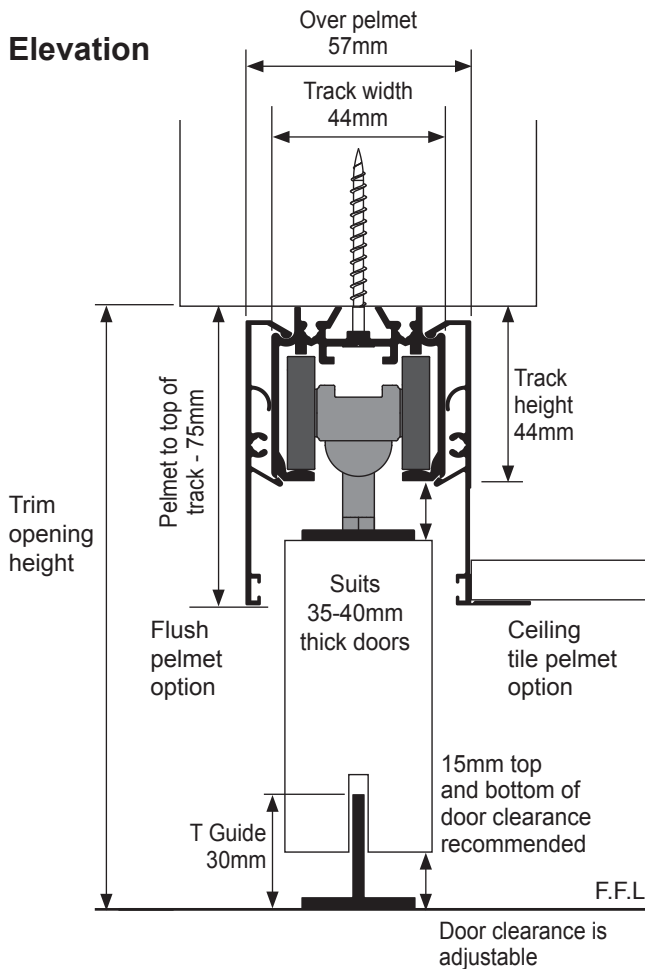
Door width = _____

Track length = _____

Plan



Elevation



Requires 1x M6/M8 or SofStop wheel pack (sold separately)

Standard pack contents:

- 2x M6 (2 wheel) or M8 (4 wheel) carriages with door stop mounting plate
- Screws to fit mounting plates

- 1x Floor guide

- 2x Track stops



Two pelmet options are available with this system: The flush version is shown mounted on the left hand side and a legged version is shown on the right hand side. The horizontal leg allows for ceiling tiles to rest on as part of a ceiling grid. All tracks supplied with pre-drilled fixing holes.

Door Height Calculation

Trim opening height _____

Less track height (44mm) _____

Less clearance above door (15mm suggested) _____

Less below door clearance (15mm suggested) _____

= Door height _____

Door Width Calculation

Clear opening _____

+ (overlap x 2) _____

= Door width _____

Please contact your rep for job progress enquiries or contact our office: **02 9905 0588**

Email: estimating@cavitysliders.com.au

Signed by CS rep _____

Signed by (or on behalf of customer) _____

Rep's contact no. _____

Print name _____

Only one Door per Form

Date _____ Door location _____

Customer _____

Site _____

Contact _____

Phone _____

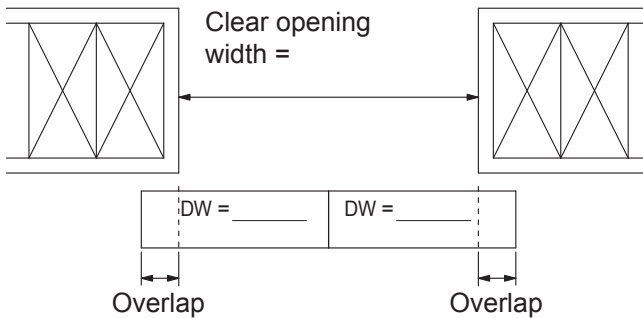
Email _____

Measured from quote S _____

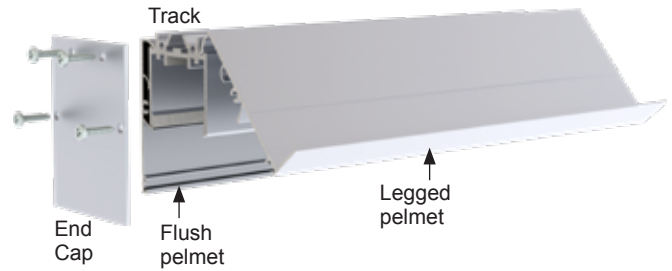
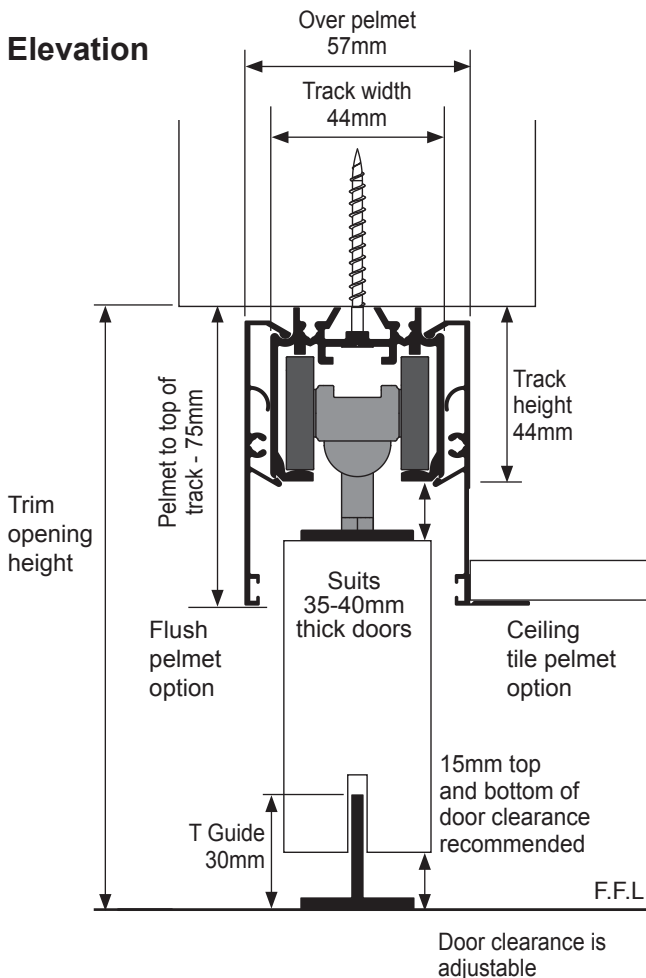
Door width = _____

Track length = _____

Plan

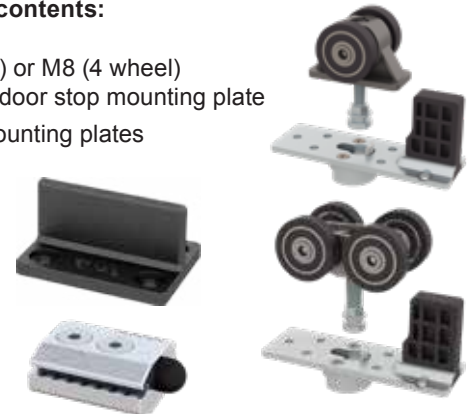


Elevation



Requires 2x M6/M8 or SofStop wheel packs (sold separately)
Standard pack contents:

- 2x M6 (2 wheel) or M8 (4 wheel) carriages with door stop mounting plate
- Screws to fit mounting plates
- 1x Floor guide
- 2x Track stops



Two pelmet options are available with this system: The flush version is shown mounted on the left hand side and a legged version is shown on the right hand side. The horizontal leg allows for ceiling tiles to rest on as part of a ceiling grid. All tracks supplied with pre-drilled fixing holes.

Door Height Calculation

Trim opening height _____
 Less track height (44mm) _____
 Less clearance above door (15mm suggested) _____
 Less below door clearance (15mm suggested) _____
 Door height = _____

Door Width Calculation

Clear opening + (overlap x 2) _____
 ÷ 2 _____
 Door width = _____

Please contact your rep for job progress enquiries or contact our office: 02 9905 0588

Email: estimating@cavitysliders.com.au

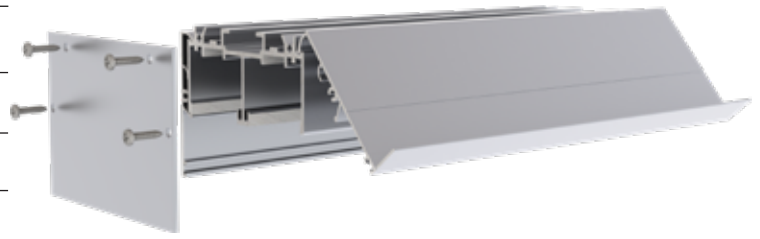
Signed by CS rep _____

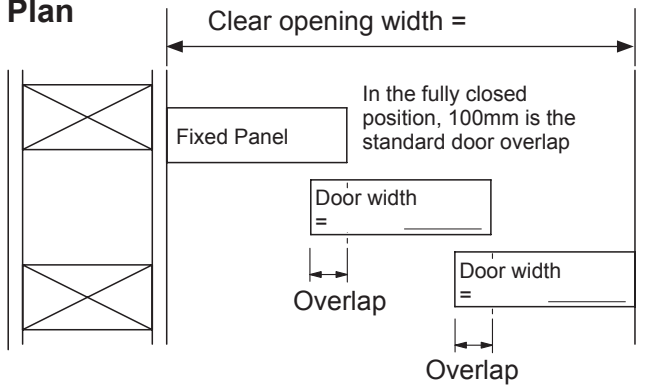
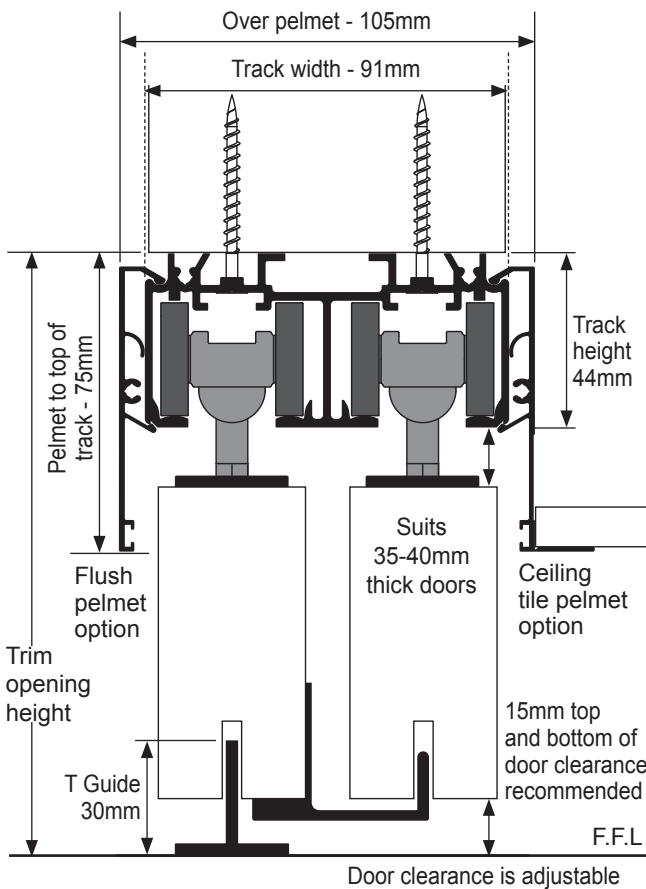
Signed by (or on behalf of customer) _____

Rep's contact no. _____

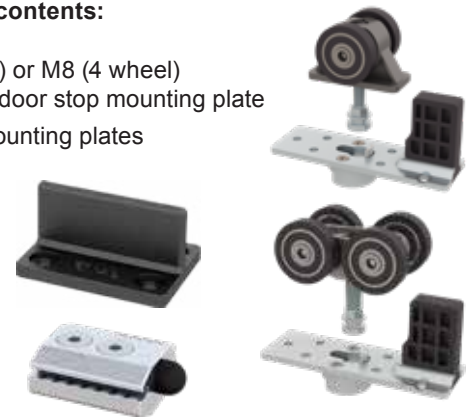
Print name _____

Only one Door per Form

 Date _____ Door location _____
 Customer _____
 Site _____
 Contact _____
 Phone _____
 Email _____
 Measured from quote S _____

 Door width = _____
 Track length = _____
 Overlap = 50 / 70 / 100

Plan

Elevation

Requires 1x M6/M8 or SofStop wheel pack per door (sold separately)
Standard pack contents:

- 2x M6 (2 wheel) or M8 (4 wheel) carriages with door stop mounting plate
- Screws to fit mounting plates
- 1x Floor guide
- 2x Track stops



Two pelmet options are available with this system: The flush version is shown mounted on the left hand side and a legged version is shown on the right hand side. The horizontal leg allows for ceiling tiles to rest on as part of a ceiling grid. All tracks supplied with pre-drilled fixing holes.

Door Height Calculation

Trim opening height (F.F.L only)	_____
Less track height (44mm)	_____
Less clearance above door (15mm suggested)	_____
Less below door clearance (15mm suggested)	_____
Door height =	=====

Door Width Calculation

Clear opening	_____
+ (no. of overlaps) x (size of o/lap) 50 / 70 / 100	_____
÷ no. of doors & fixed panels =	_____

 Please contact your rep for job progress enquiries or contact our office: **02 9905 0588**

 Email: estimating@cavitysliders.com.au

Signed by CS rep _____

Signed by (or on behalf of customer) _____

Rep's contact no. _____

Print name _____