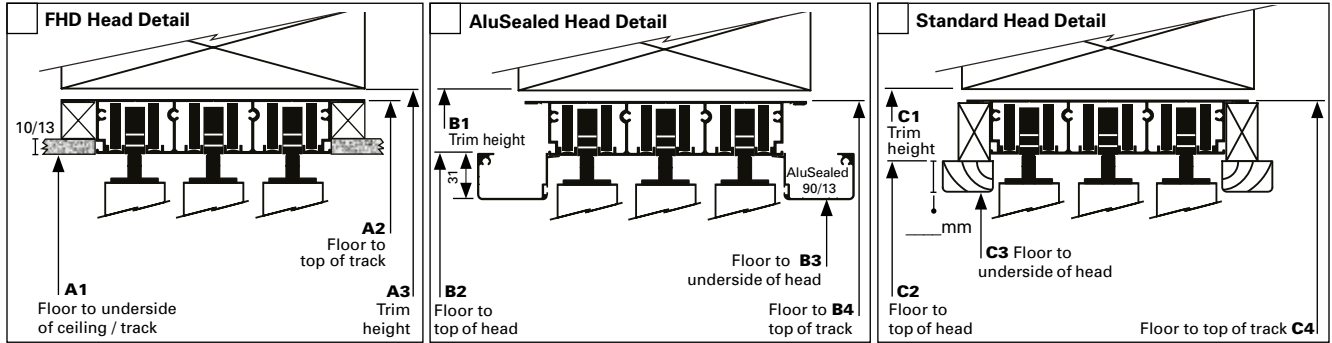


Customer _____
 Rep initials _____ Date _____
 Address/contact _____
 Door location _____ **One Wardrobe per Form**

Please match one of the Head Detail drawings with one of the Plan View drawings.



Critical height dimension agreed: **A1 A2 A3 B1 B2 B3 B4 C1 C2 C3 C4** (Circle one only) is: _____ mm.

Flooring _____

Will the frame sit hard on top of the floor? Yes No

Is the floor existing at time of site measure? Yes No

Proposed thickness of floor covering = _____ mm

Is a gap under the door of 25mm (before floor coverings) acceptable? Yes No

Add _____ mm (max 15) to door height **OR** reduce frame height by _____ mm (max 15) to reduce under door gap.

Is ceiling batten in place? Yes No

Is framing / resizing required on site? Yes No

Dimensions given by builder (not measured) Yes No

Door

Height _____ Width _____

Type _____

Finish _____

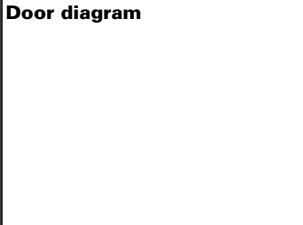
Glass _____

H/W _____

H/W height _____

Door overlap 50 100 (std)

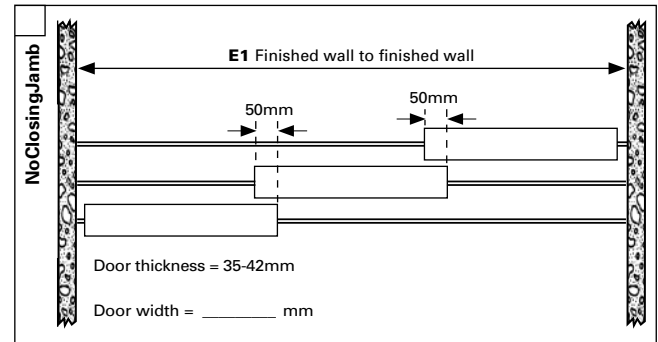
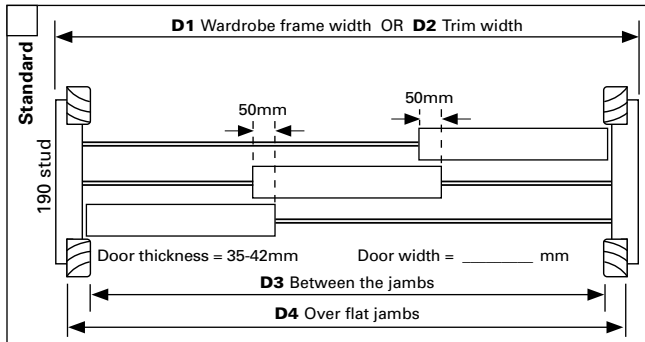
Door diagram



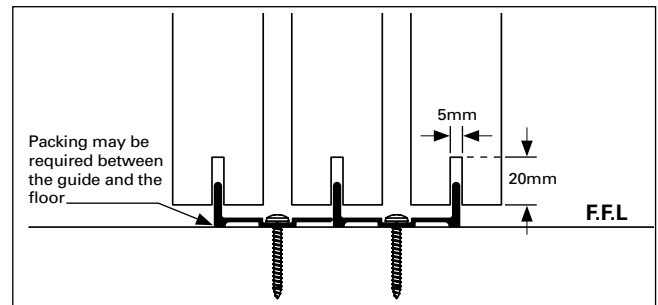
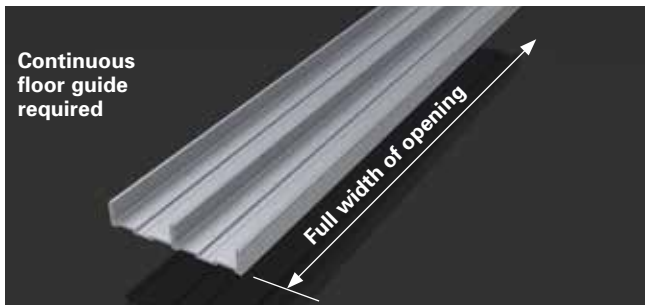
Wall configuration

Who is supplying the doors? 10/190/10 13/190/13

Cust. CS No doors Other _____



Mutually Agreed Critical Measurement of Dimension: **D1 D2 D3 D4 E1** (Please circle one only) is: _____ mm.



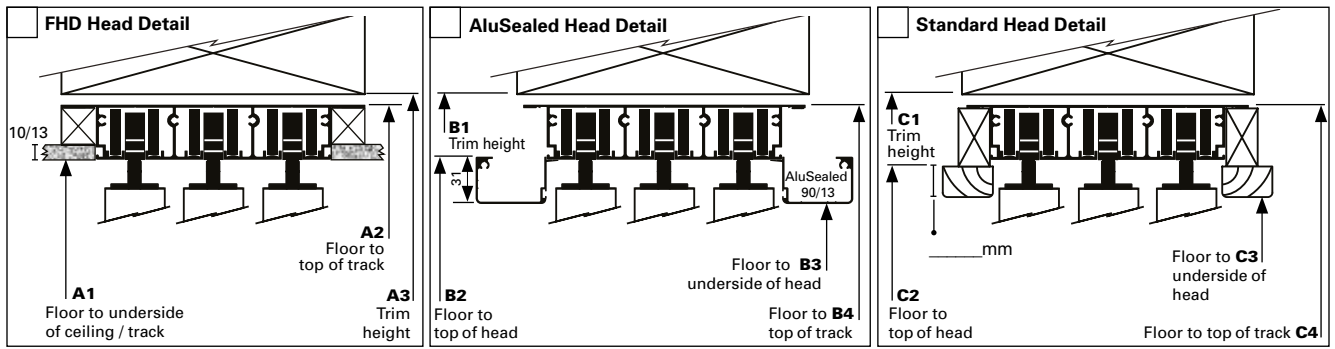
Please contact your rep for job progress enquiries or contact our office on 02 9905 0588.

Signed by CS rep _____ Signed by (or on behalf of customer) _____
 Rep's contact no. _____ Print name _____

Customer _____
 Rep initials _____ Date _____
 Address/contact _____
 Door location _____ **One Wardrobe per Form**



Please match one of the Head Detail drawings with one of the Plan View drawings.



Critical height dimension agreed: **A1 A2 A3 B1 B2 B3 B4 C1 C2 C3 C4** (Circle one only) is: _____ mm.

Flooring _____

Will the frame sit hard on top of the floor? Yes No

Is the floor existing at time of site measure? Yes No

Proposed thickness of floor covering = _____ mm

Is a gap under the door of 25mm (before floor coverings) acceptable? Yes No

Add _____ mm (max 15) to door height **OR** reduce frame height by _____ mm (max 15) to reduce under door gap.

Is ceiling batten in place? Yes No

Is framing / resizing required on site? Yes No

Dimensions given by builder (not measured) Yes No

Door

Height _____ Width _____

Type _____

Finish _____

Glass _____

H/W _____

H/W height _____

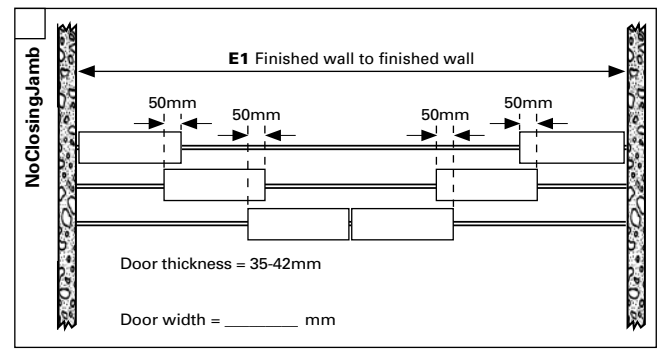
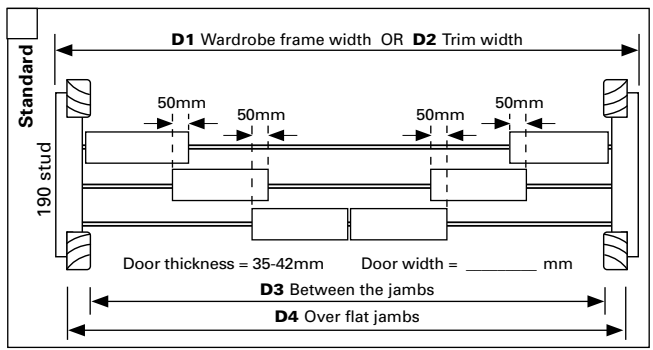
Door overlap 50 100 (std)

Door diagram

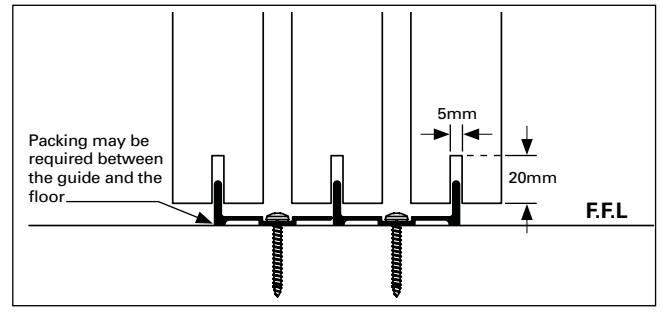
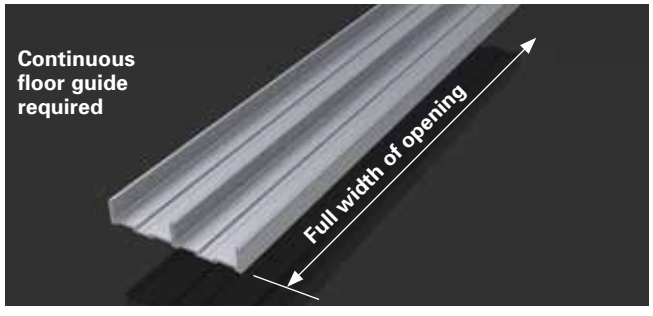
Wall configuration

Who is supplying the doors? 10/190/10 13/190/13

Cust. CS No doors Other _____



Mutually Agreed Critical Measurement of Dimension: **D1 D2 D3 D4 E1** (Please circle one only) is: _____ mm.



Please contact your rep for job progress enquiries or contact our office on 02 9905 0588.

Signed by CS rep _____ Signed by (or on behalf of customer) _____
 Rep's contact no. _____ Print name _____

©CS Cavity Sliders Pty. Ltd. 603272 - A.U. Site Measure Wardrobes Premier 3T-190 04.2018

WardrobeSliders™ Site Measure Form - Premier 3T-190 (6 Doors)